

This drawing is the property of NORNA PLAYGROUNDS and pursuant to current legislation may not be copied, transferred to or used by any third party. Should this drawing be used, a fee of 10% of the assumed contract price will be charged.

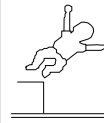
1:75



**IJSLANDER**

Ijlander BV  
 Oude Dijk 10  
 8096 RK Oldebroek | The Netherlands  
 T +31 (0)525 633420 | F +31 (0)525 631067  
 info@ijlander.com | www.ijlander.com

≤ 2660



≥ EN 16630

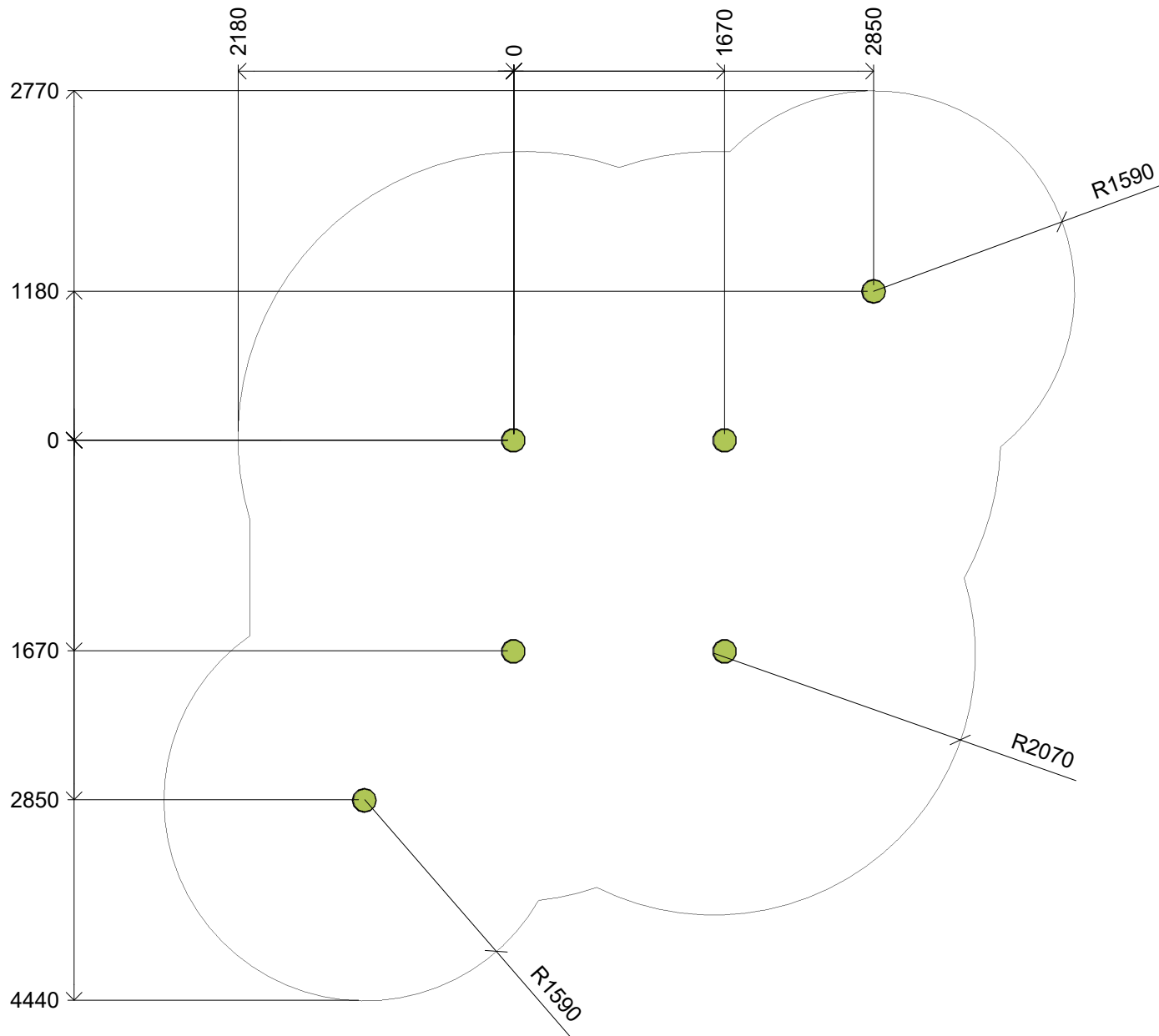
Robina Pull up systeem

Z14366

Ijlander rev. 6724

11.04.2023

REV. -

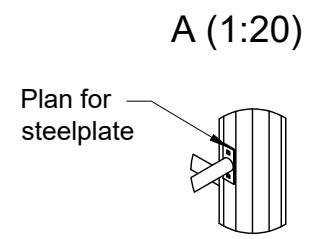
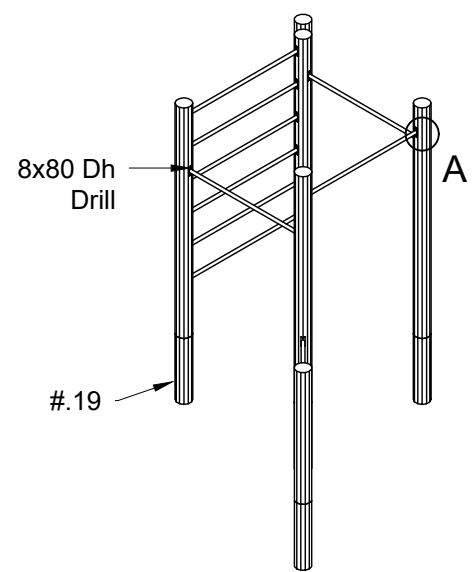
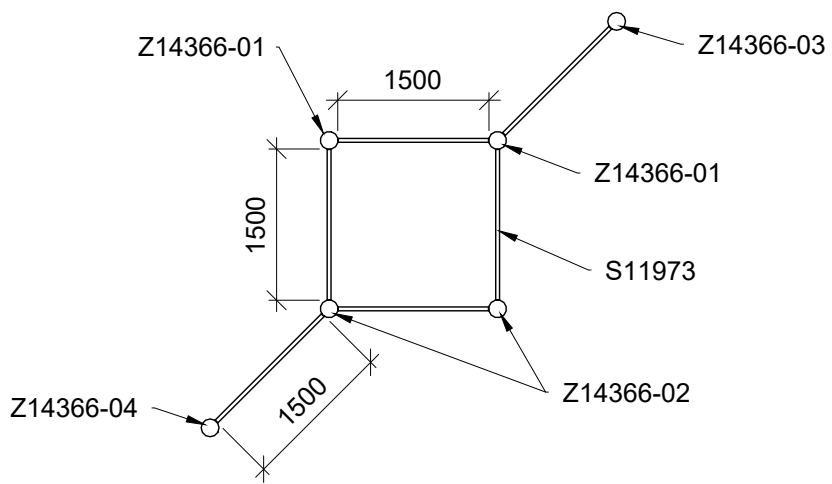
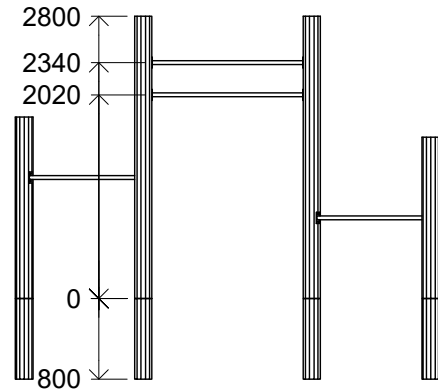
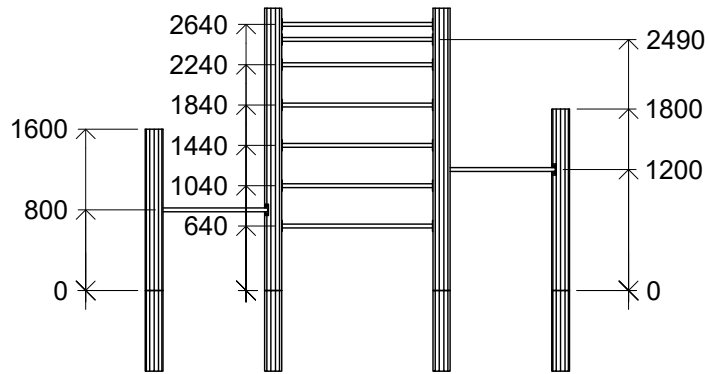


1:50

This drawing is the property of NORNA PLAYGROUNDS and pursuant to current legislation may not be copied, transferred to or used by any third party. Should this drawing be used, a fee of 10% of the assumed contract price will be charged.

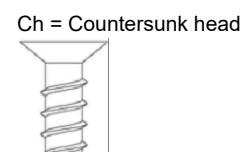


<b>NORNA</b> PLAYGROUNDS		A4 Excavation
Robina Pull up system		
Z14366		
11.04.2023	REV.	-



# = Inst.p. No.

19



By assembly. Drilling and use of saw must be expected.

This drawing is the property of NORNA PLAYGROUNDS and pursuant to current legislation may not be copied, transferred to or used by any third party. Should this drawing be used, a fee of 10% of the assumed contract price will be charged.

<b>NORNA</b> PLAYGROUNDS		Inst-
Robina Pull up system		
Z14366		
11.04.2023	REV.	-