

This drawing is the property of NORNA PLAYGROUNDS and pursuant to current legislation may not be copied, transferred to or used by any third party. Should this drawing be used, a fee of 10% of the assumed contract price will be charged.

1:75

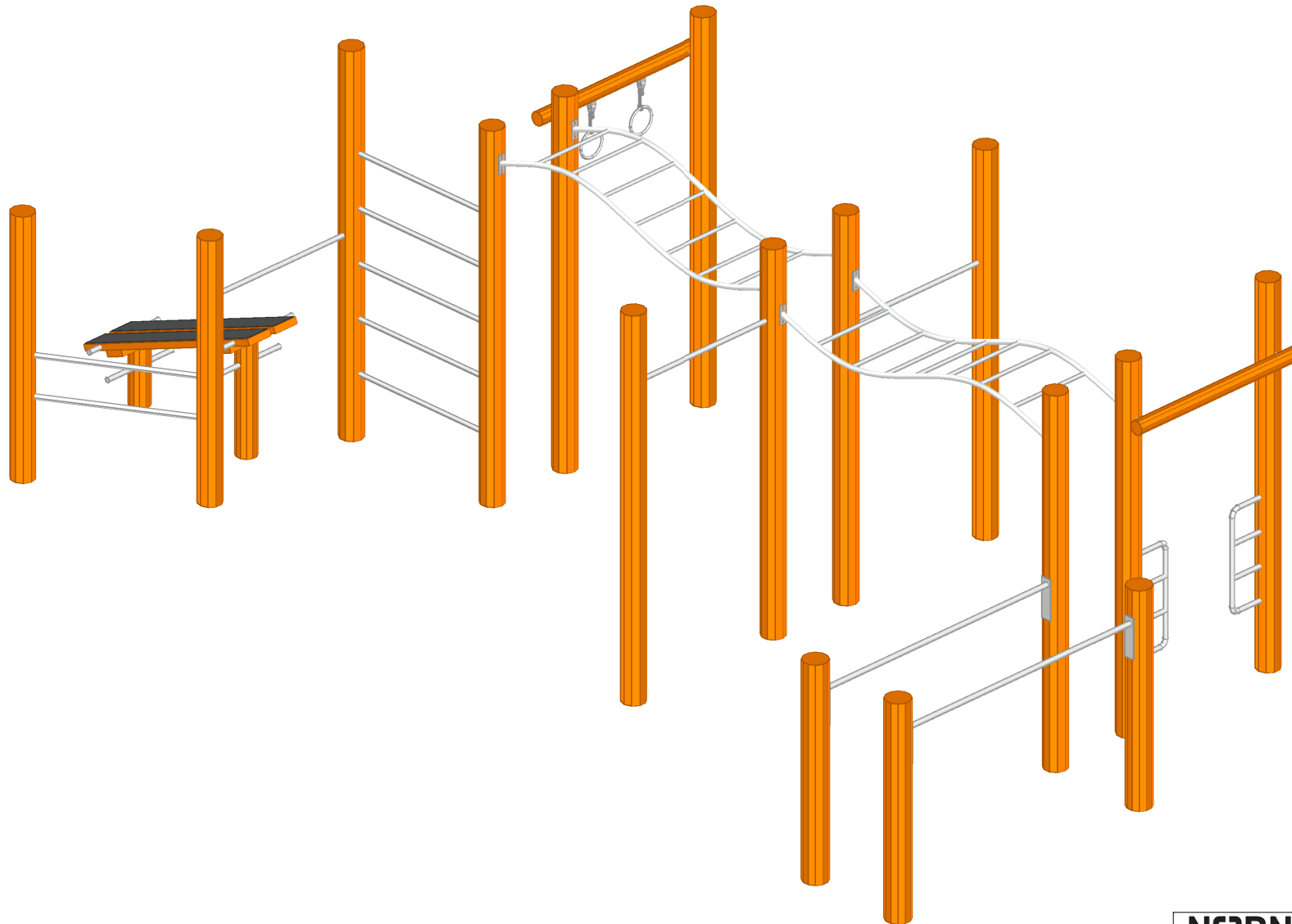


Ijlander BV  
 Oude Dijk 10  
 8096 RK Oldebroek | The Netherlands  
 T +31 (0)525 633420 | F +31 (0)525 631067  
 info@ijlander.com | www.ijlander.com

< 2650

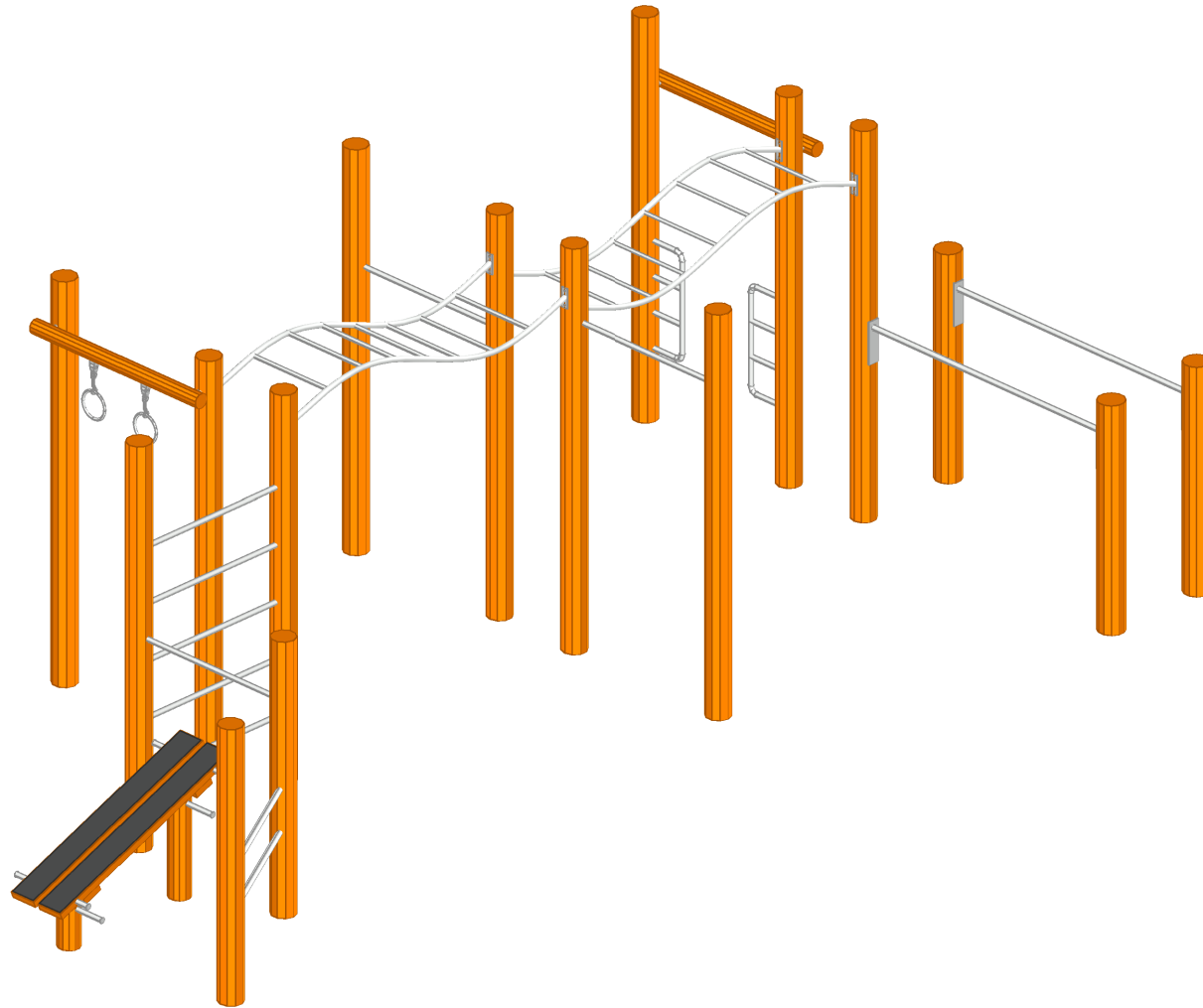
≥ EN 1176

Main drawing	
<b>Klatresystem</b>	
Z55610 - (Z14103) <b>Ijlander rev. 6722</b>	
17.01.2022	REV. -



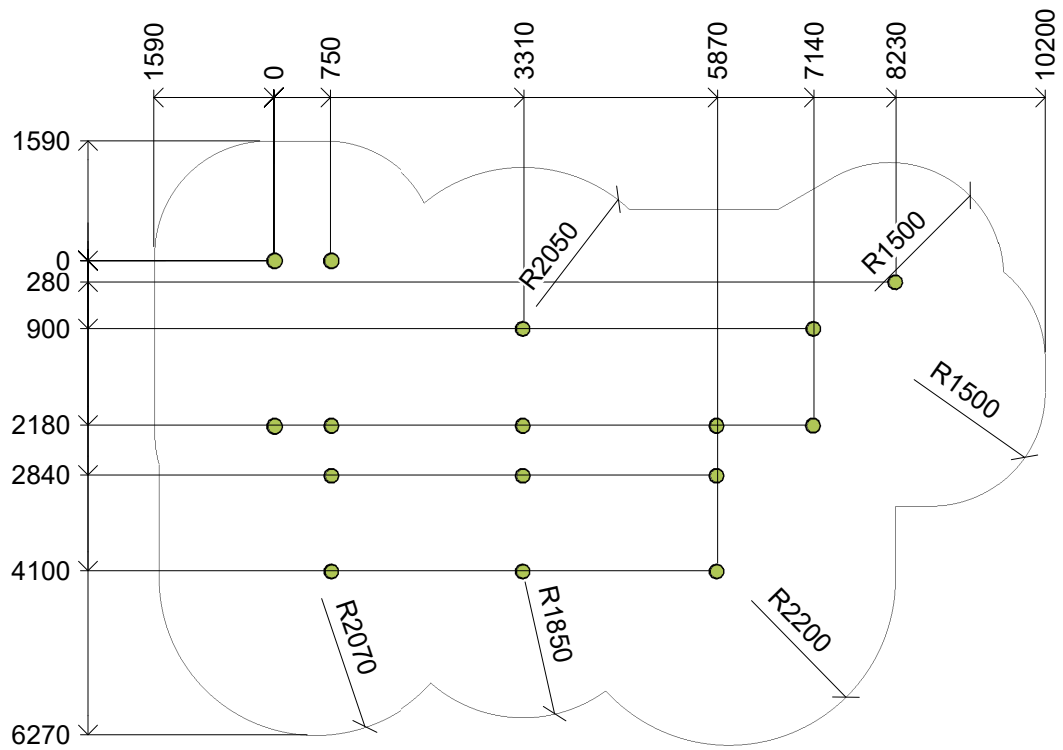
This drawing is the property of NORN PLAYGROUNDS and pursuant to current legislation may not be copied, transferred to or used by any third party. Should this drawing be used, a fee of 10% of the assumed contract price will be charged.

<b>NORNA</b> PLAYGROUNDS	3D
<b>Klatresystem</b>	
Z55610 - (Z14103)	
17.01.2022	REV. -



This drawing is the property of NORN PLAYGROUNDS and pursuant to current legislation may not be copied, transferred to or used by any third party. Should this drawing be used, a fee of 10% of the assumed contract price will be charged.

<b>NORNA</b> PLAYGROUNDS		3D (2)
Klatresystem		
Z55610 - (Z14103)		
17.01.2022	REV.	-

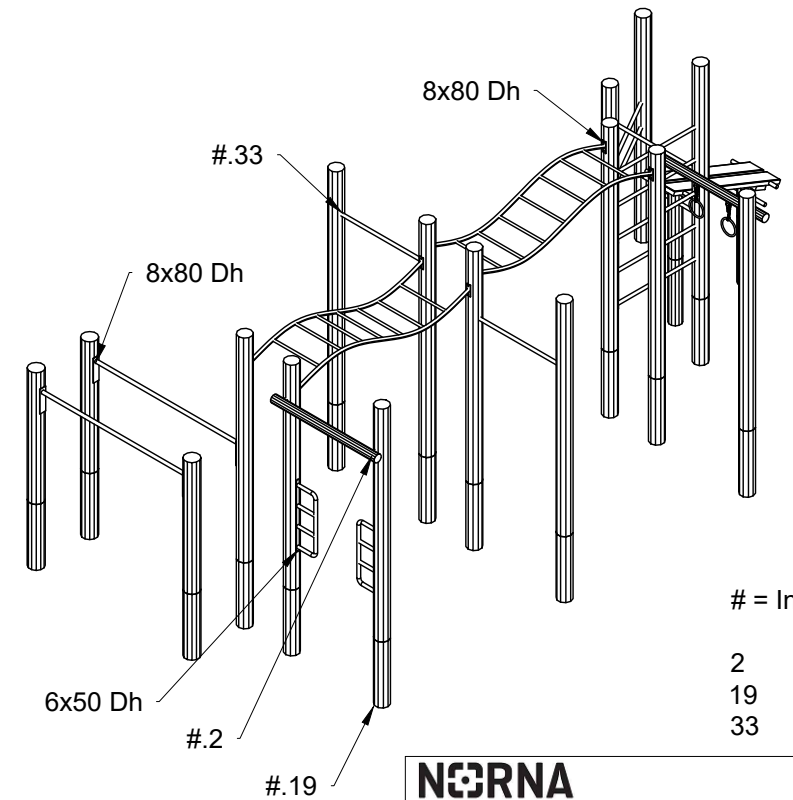
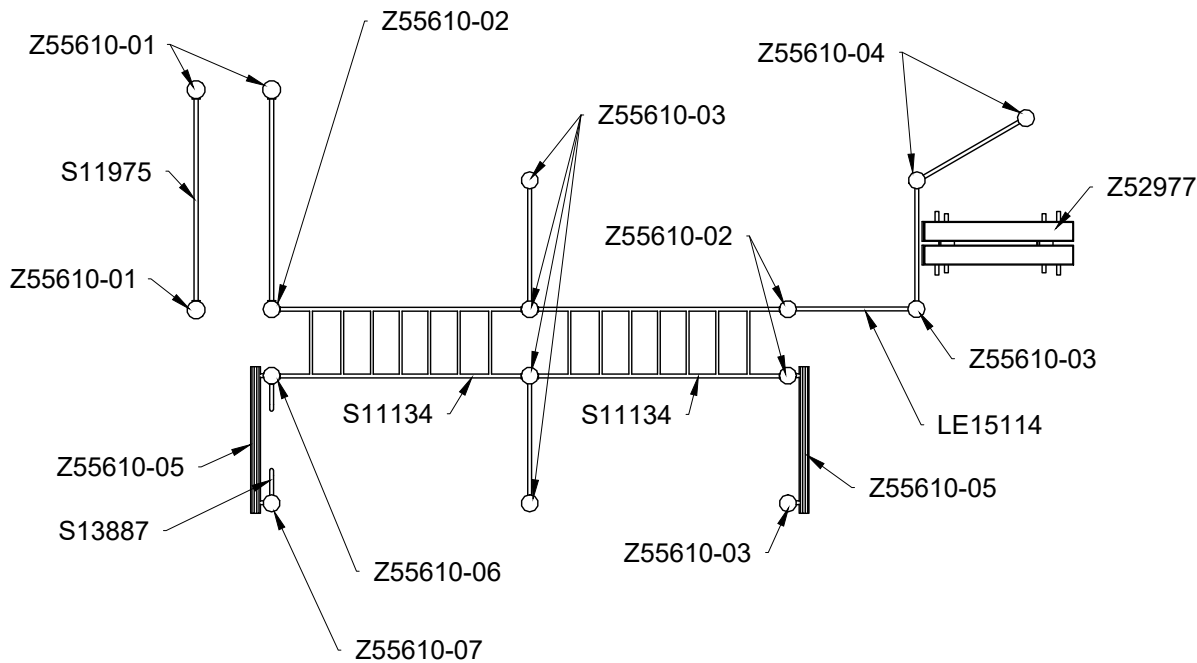
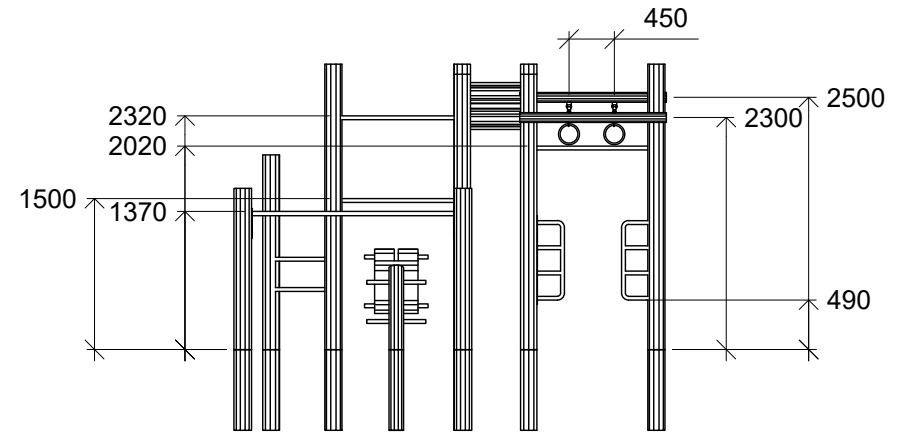
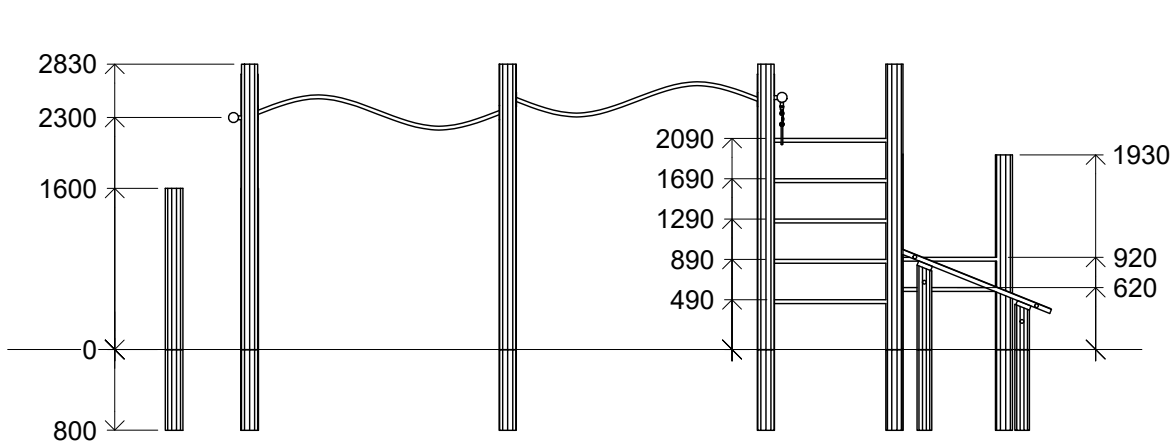


1:100



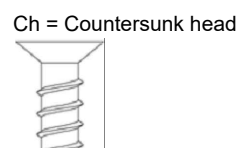
<b>NORNA</b> PLAYGROUNDS		A4 Excavation
Klatresystem		
Z55610 - (Z14103)		
17.01.2022	REV.	-

This drawing is the property of NORNA PLAYGROUNDS and pursuant to current legislation may not be copied, transferred to or used by any third party. Should this drawing be used, a fee of 10% of the assumed contract price will be charged.



# = Inst.p. No.

2
19
33



By assembly. Drilling and use of saw must be expected.

This drawing is the property of NORNA PLAYGROUNDS and pursuant to current legislation may not be copied, transferred to or used by any third party. Should this drawing be used, a fee of 10% of the assumed contract price will be charged.

<b>NORNA</b> PLAYGROUNDS		Inst-
Klatresystem		
Z55610 - (Z14103)		
17.01.2022	REV. -	