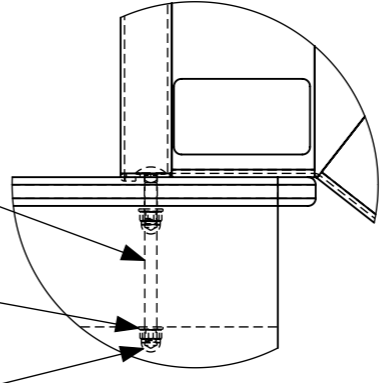


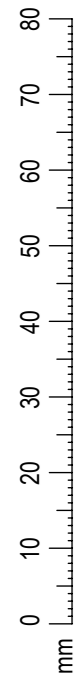
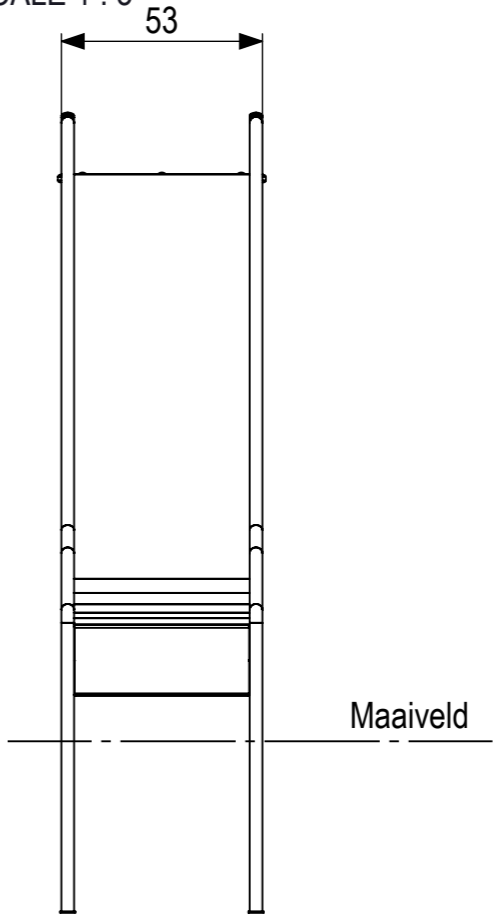
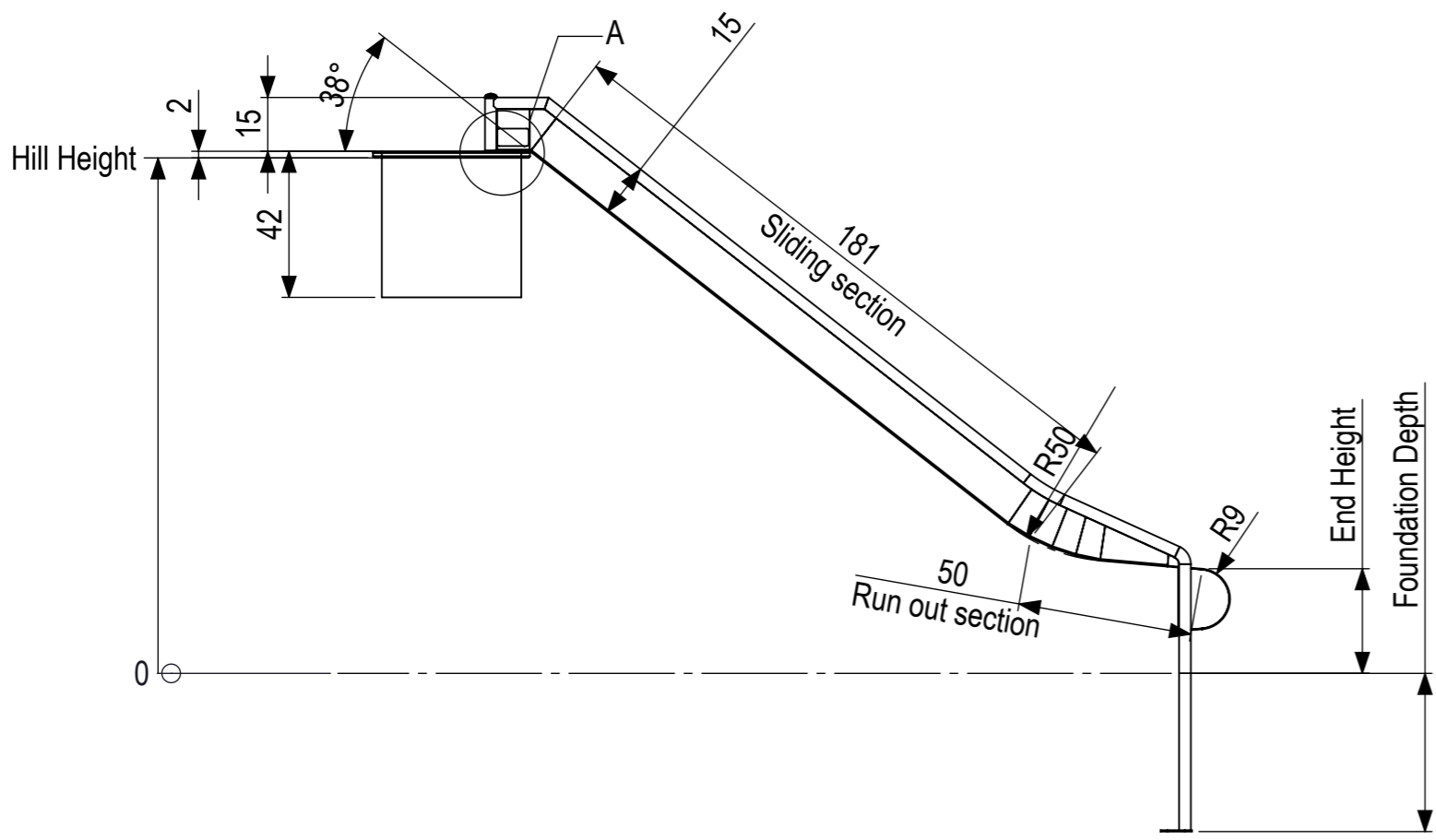
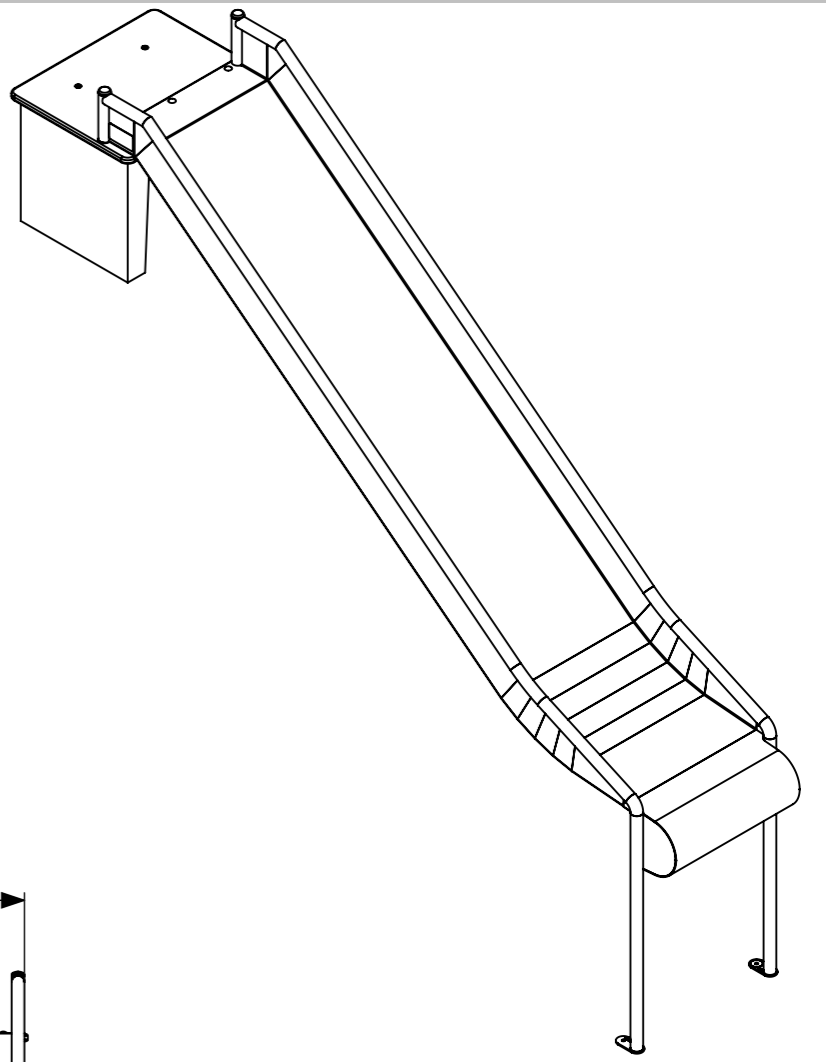
SCALE 1:50

**Impact area**  
 Must be free from obstacles and walk routes  
 Covered with impact attenuating surface  
 suitable for a free height of fall of 1m

Slotbout M8x110 DIN 603 RVS A2  
 Sluistring din125 M8 rvs A2  
 Dopmoer M8 din 1587 rvs A2



DETAIL A  
 SCALE 1 : 5



Range 1189-150			
	Hill Height (cm)	End Height (cm)	Foundation Depth (cm)
Min	125	5	45
Max	150	30	70

<b>IJslander BV</b> Oude Dijk 10 8096 RK Oldebroek   The Netherlands T +31 (0)525 633420   F +31 (0)525 631067 info@ijslander.com   www.ijslander.com	oppervlakte ruwheid surface roughness DIN ISO 1302	alg. ruwheid gen. roughness 3.2	eenheid/unit cm	datum date 5-3-2026	naam name AW																									
	vorm- en plaatstoleranties geometrical tolerancing DIN ISO 1101	toelaatbare afwijkingen voor lineaire maten (m.u.v. gebroken kanten) admissible deviations for linear dimensions (excepting broken edges)																												
	alg. toleranties gen. tolerancing DIN 7168-m	<table border="1"> <tr> <th>lineaire maat</th> <th>&gt; 0,5</th> <th>6</th> <th>30</th> <th>120</th> <th>400</th> <th>1000</th> <th>2000</th> <th>4000</th> </tr> <tr> <td>linear dimension</td> <td>≤</td> <td>0,5</td> <td>30</td> <td>120</td> <td>400</td> <td>1000</td> <td>2000</td> <td>4000</td> </tr> <tr> <td>afwijking/deviation</td> <td></td> <td>±0.1</td> <td>±0.2</td> <td>±0.3</td> <td>±0.5</td> <td>±0.8</td> <td>±1.2</td> <td>±2</td> </tr> </table>	lineaire maat	> 0,5	6	30	120	400	1000	2000	4000	linear dimension	≤	0,5	30	120	400	1000	2000	4000	afwijking/deviation		±0.1	±0.2	±0.3	±0.5	±0.8	±1.2	±2	Totaal gewicht: 138 kg Zwaarste onderdeel: 79,5 kg
lineaire maat	> 0,5	6	30	120	400	1000	2000	4000																						
linear dimension	≤	0,5	30	120	400	1000	2000	4000																						
afwijking/deviation		±0.1	±0.2	±0.3	±0.5	±0.8	±1.2	±2																						
proj. omschrijving/description <b>Colorato taludglijbaan</b> <b>H=1,25-1,50m</b>	tekeningnummer/drawingnumber <b>1189-150-INS</b>	blad/sheet <b>4 - 5</b>	wijz./rev. 	form./size <b>A3</b>																										