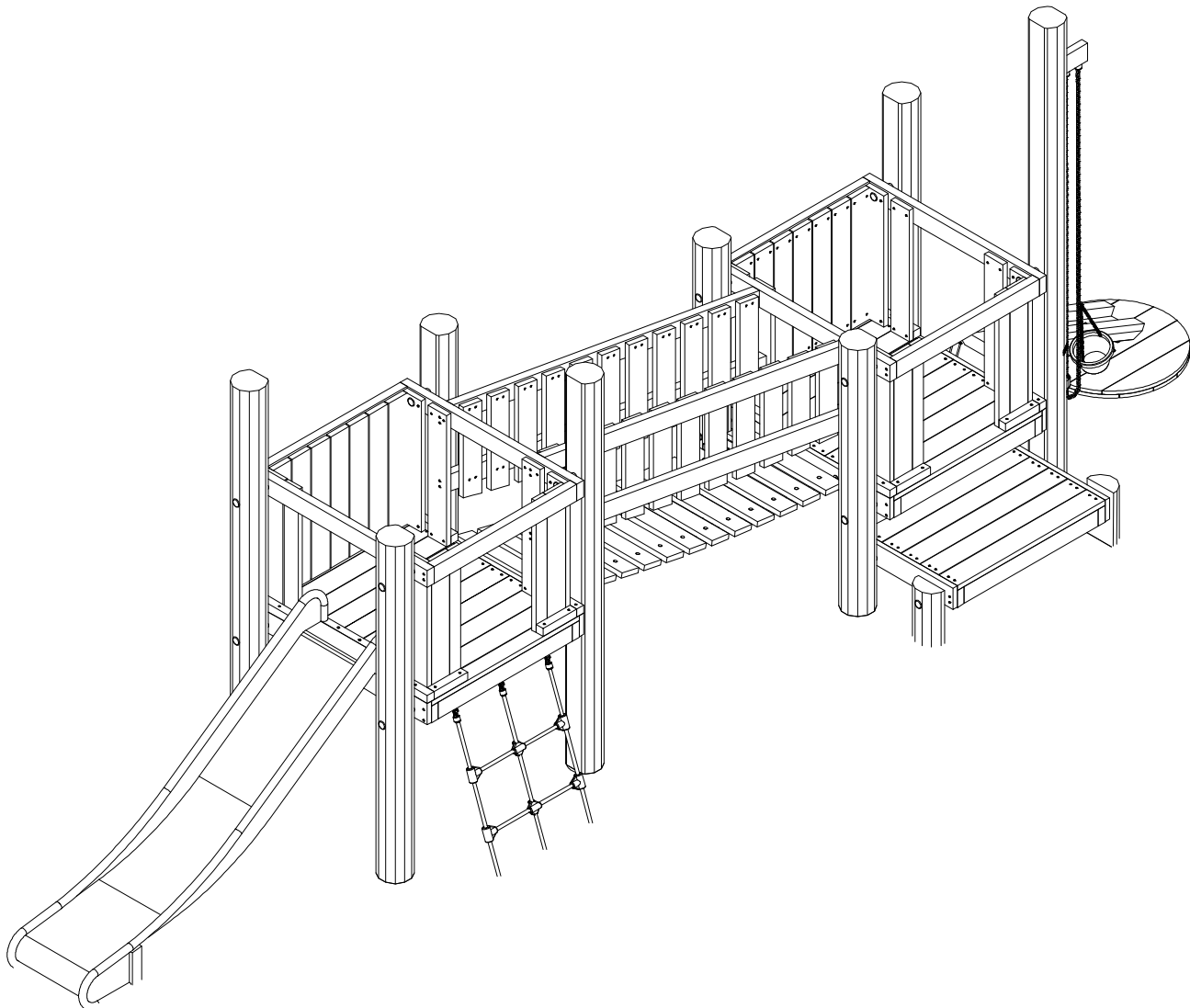
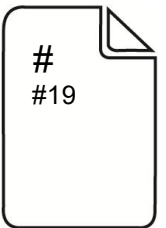


6718

1/12

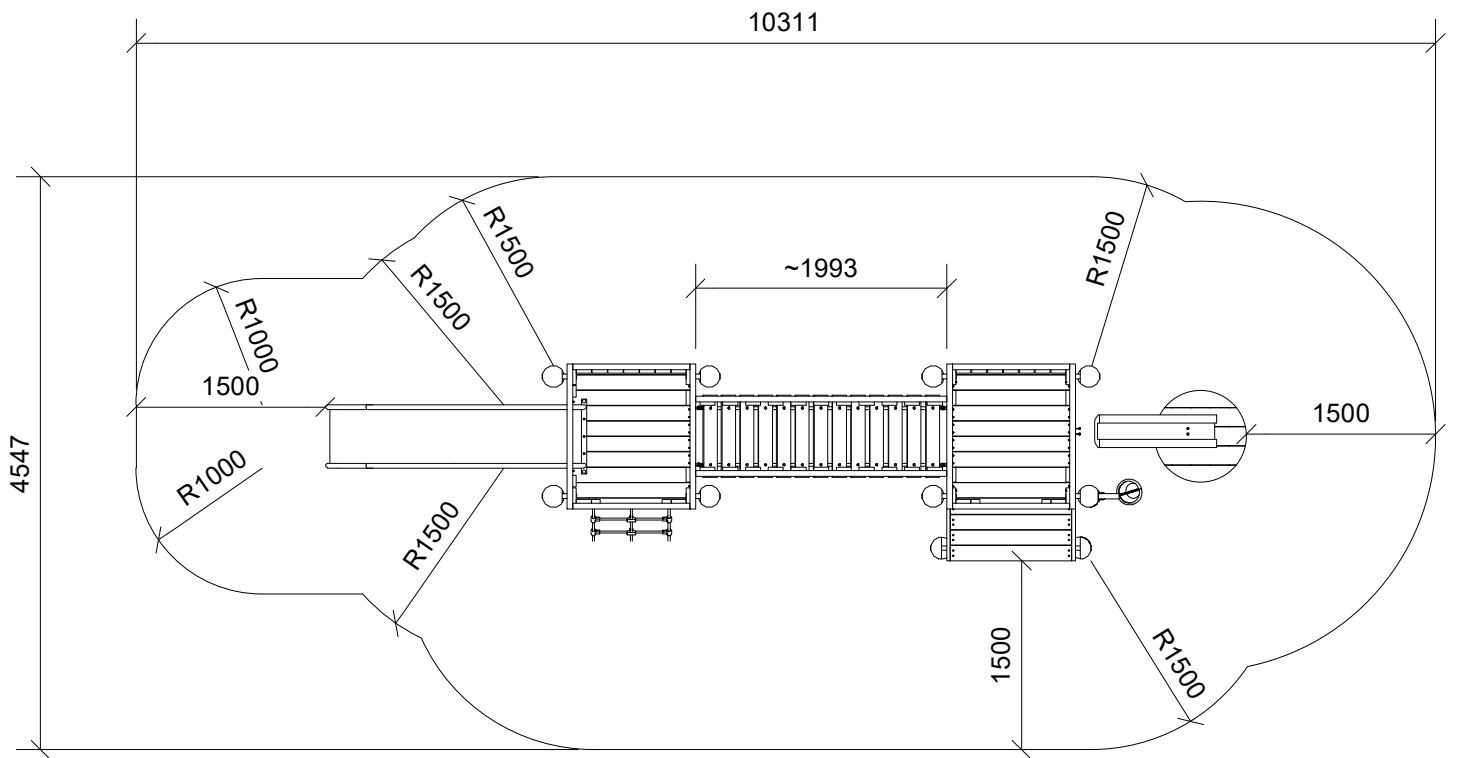
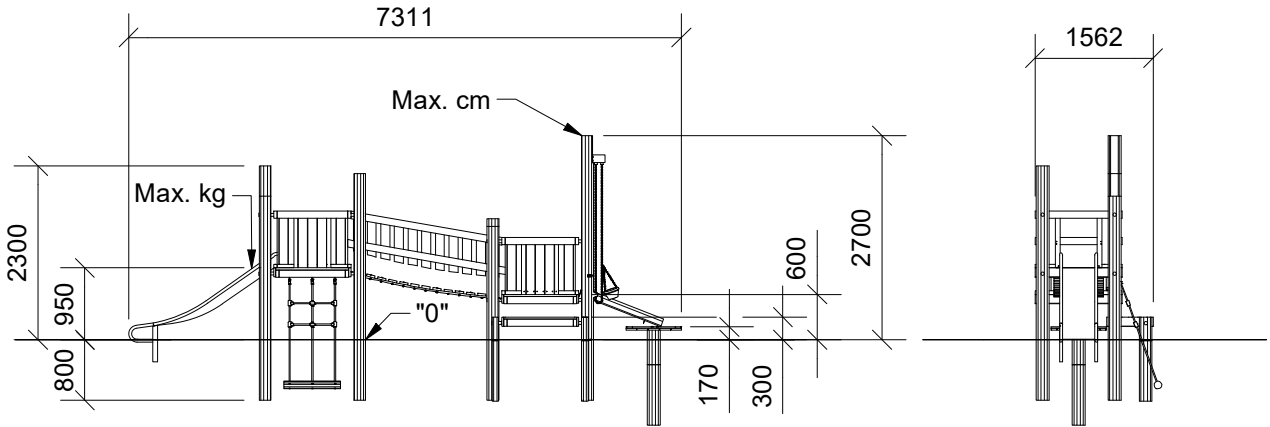
0107-001-001



Ijslander BV
Oude Dijk 10
8096 RK Oldebroek | The Netherlands
T +31 (0)525 633420 | F +31 (0)525 631067
info@ijslander.com | www.ijslander.com



22-05-2025 / Rev.: C



2



24h



38,2 m²



10,4 x 4,5 x 2,7 m



~1268 kg



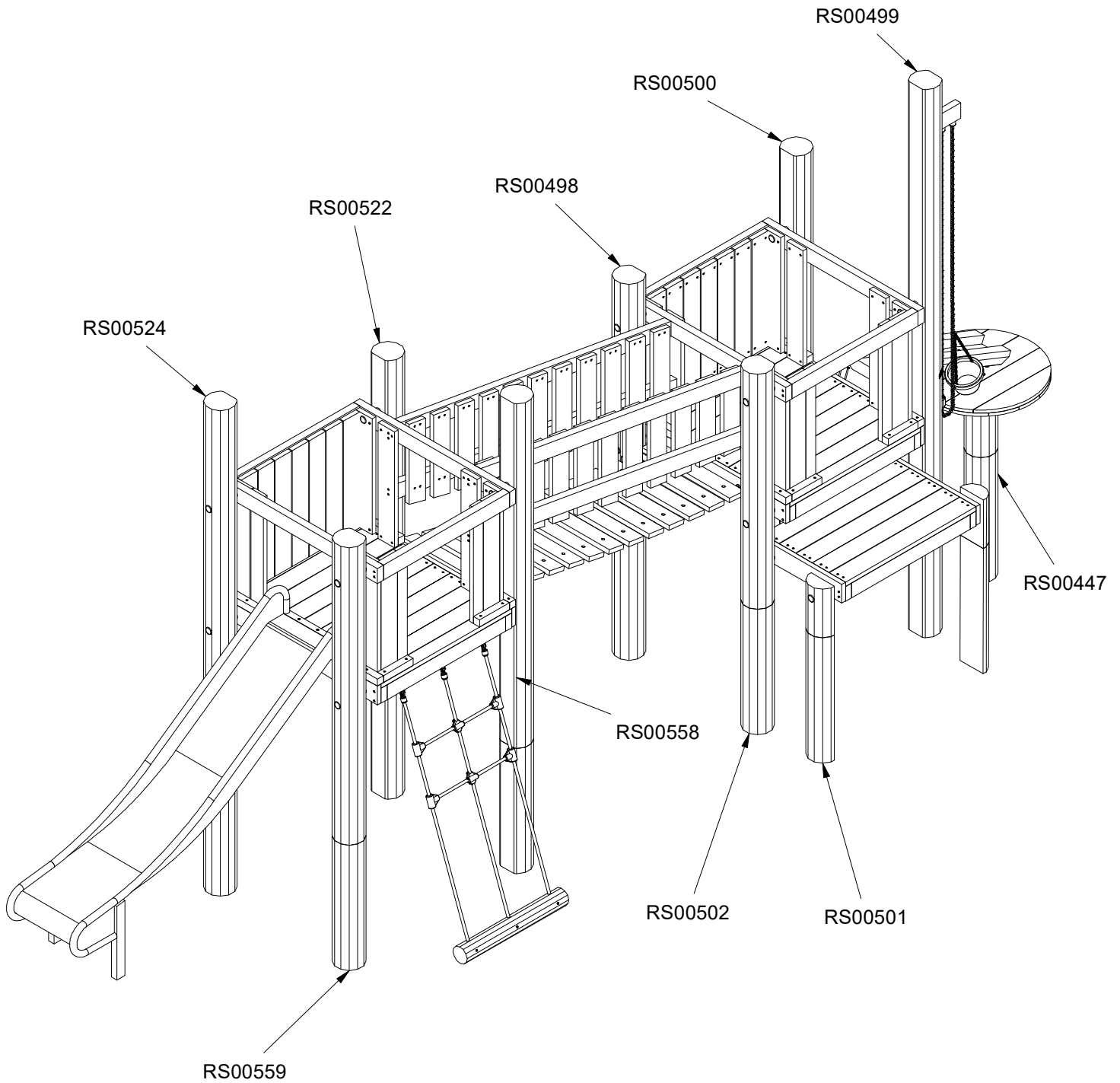
~0,42 m³



Ø16-18 x 350 cm

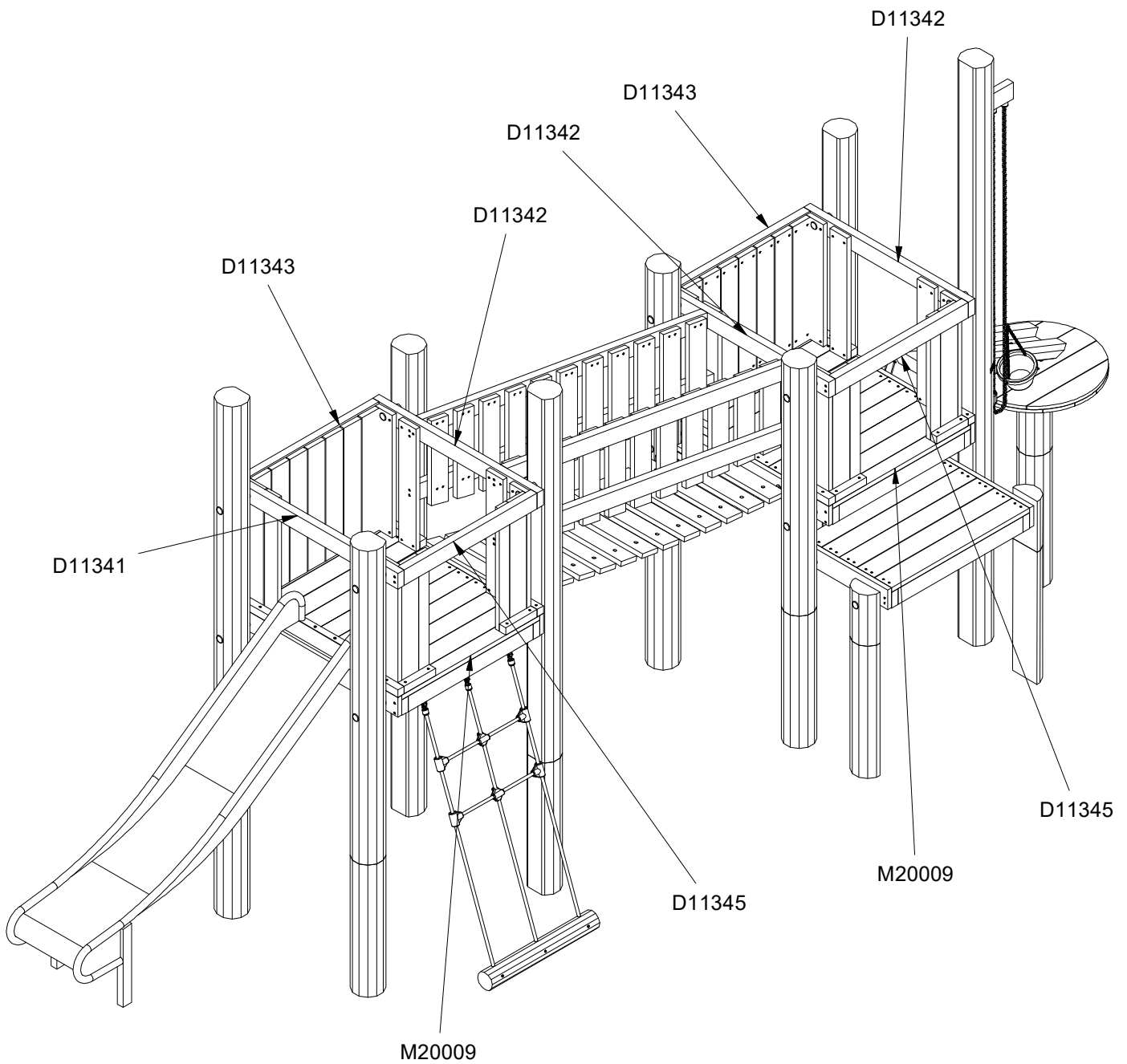


96 kg

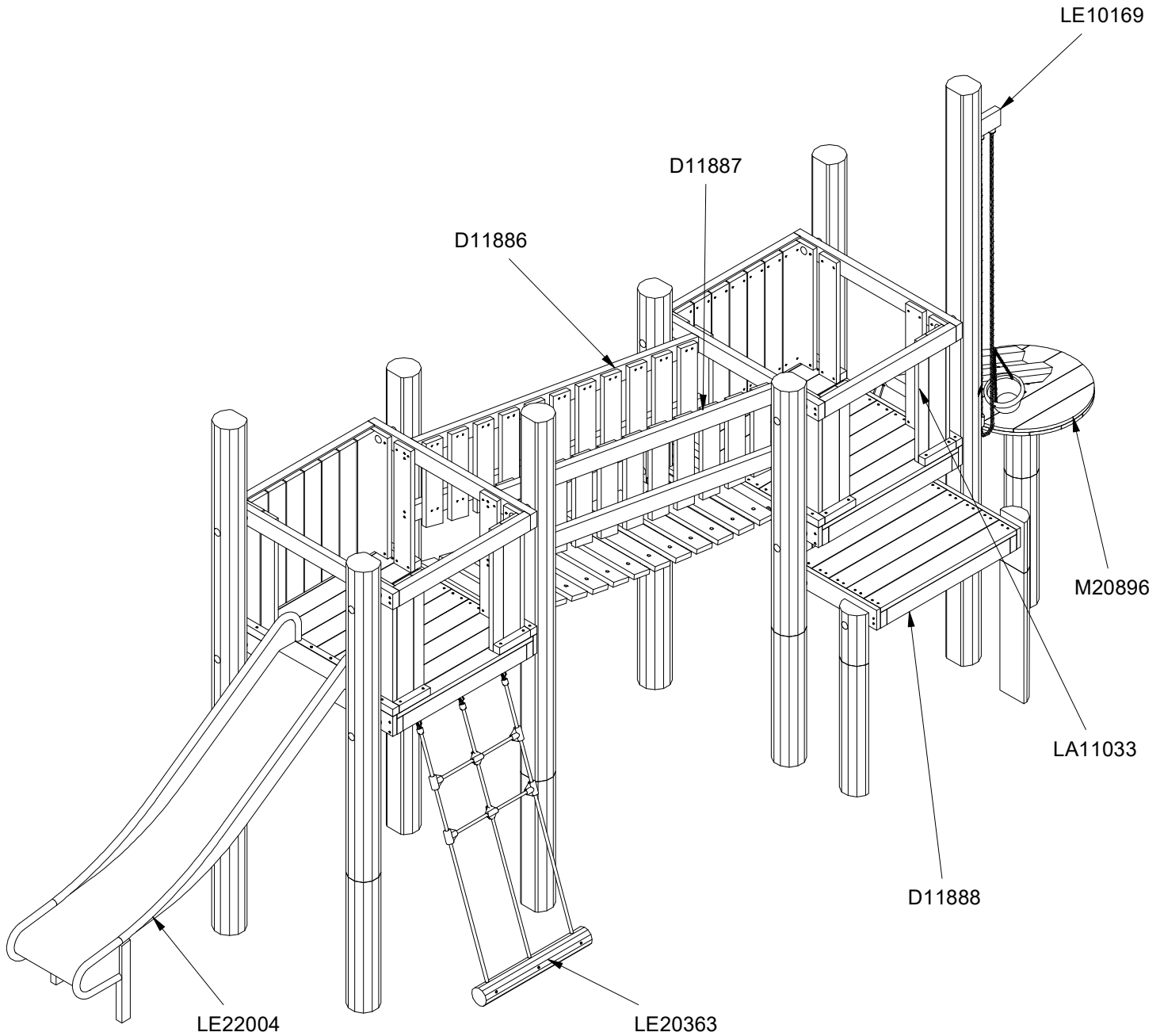


Parts List

QTY	PART NO	DESCRIP.
1	RS00447	Ø160-180
1	RS00498	Ø160-180
1	RS00499	Ø160-180
1	RS00500	Ø160-180
2	RS00501	Ø160-180
1	RS00502	Ø160-180
1	RS00522	Ø160-180
1	RS00524	Ø160-180
1	RS00558	Ø160-180
1	RS00559	Ø160-180

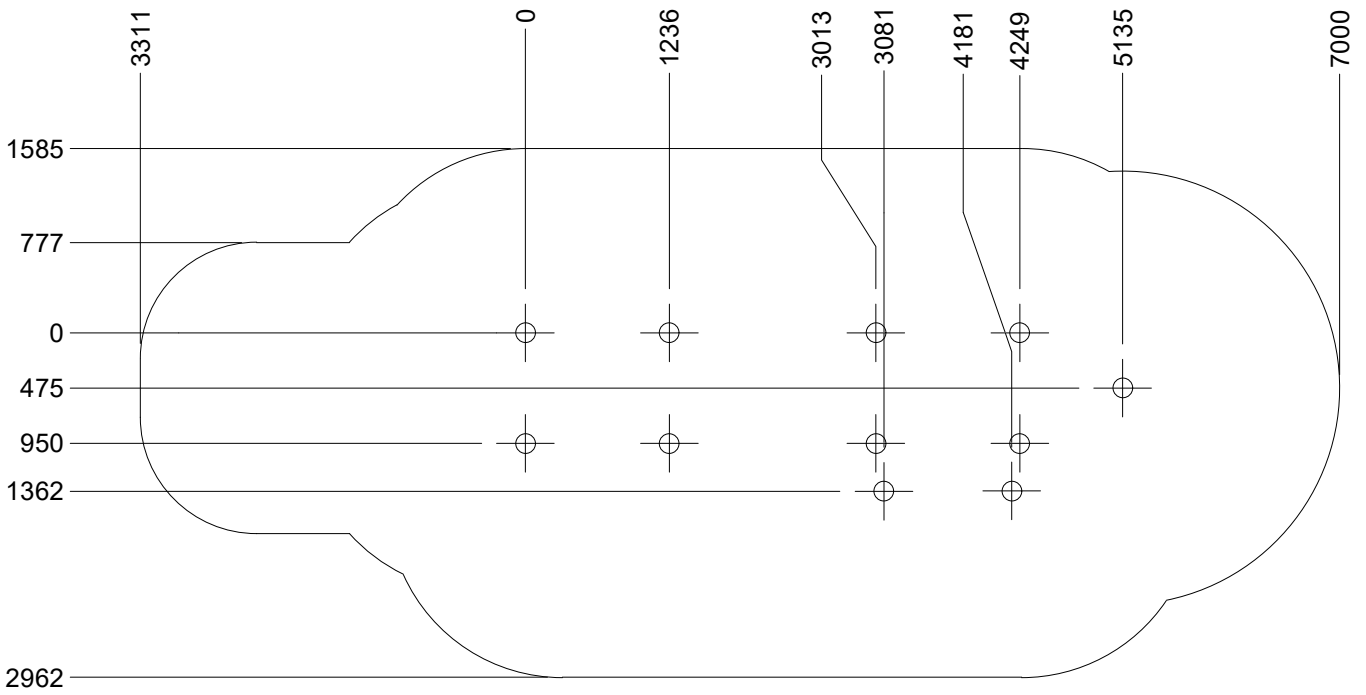
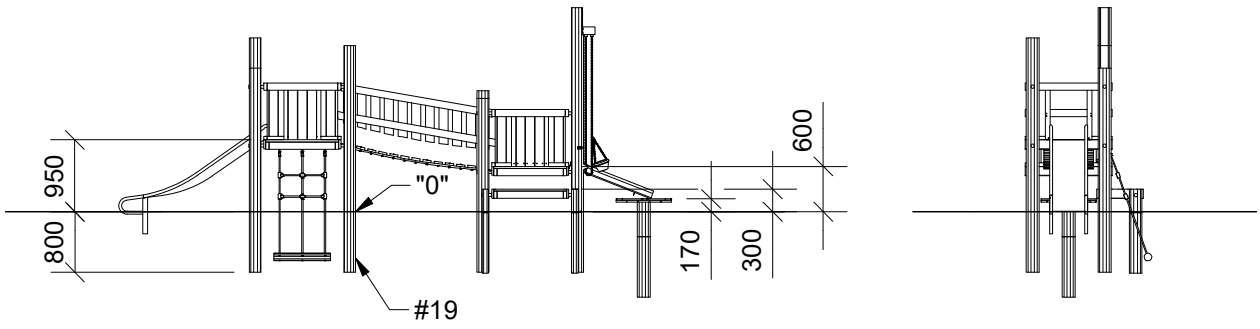


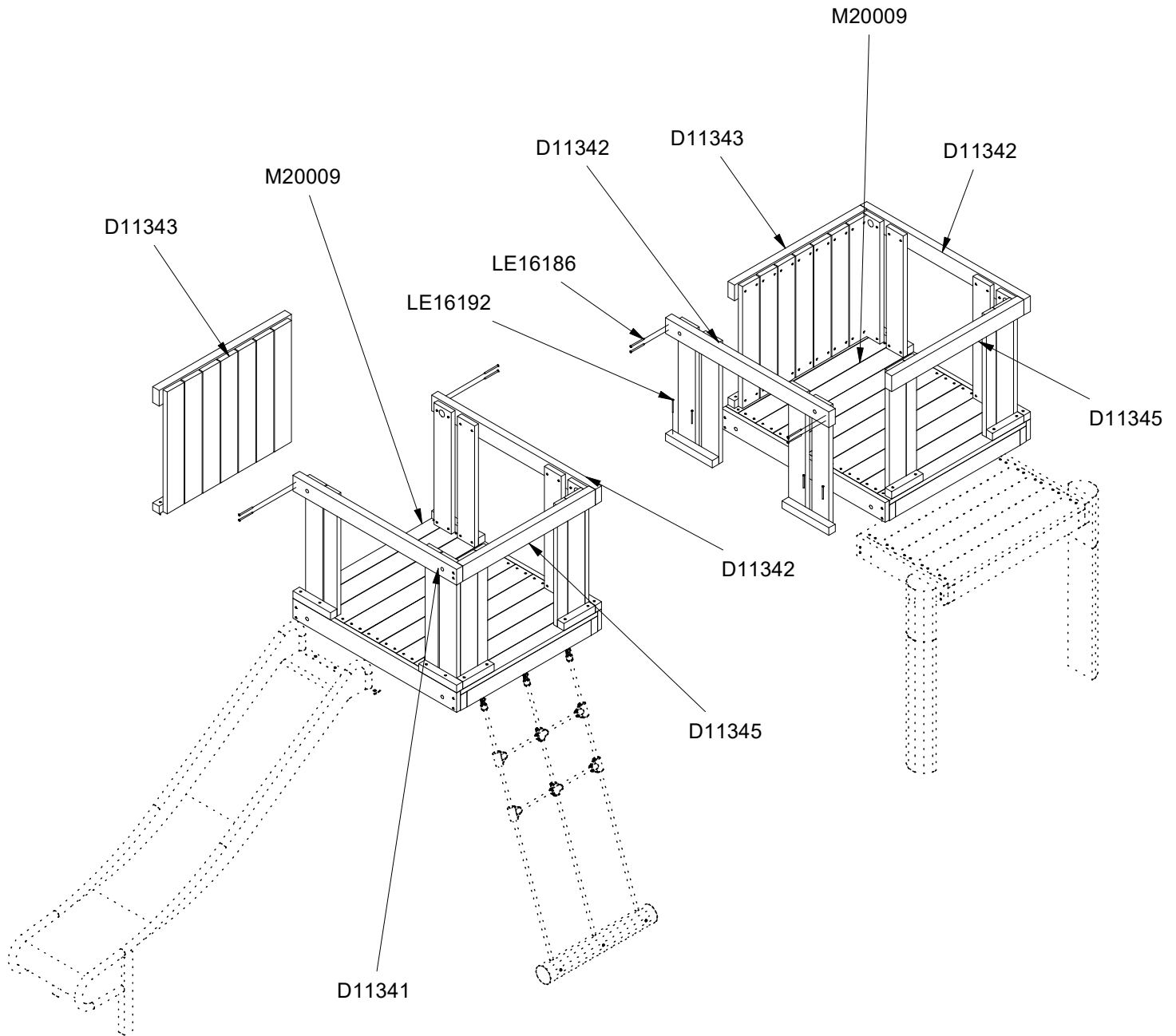
Parts List		
QTY	PART NO	DESCRIP.
1	D11341	1150x750mm, 620mm Gap
3	D11342	1150x750mm, 490mm Gap
2	D11343	930x750mm, Closed
2	D11345	930x750mm, 490mm Gap
2	M20009	1150x1020mm



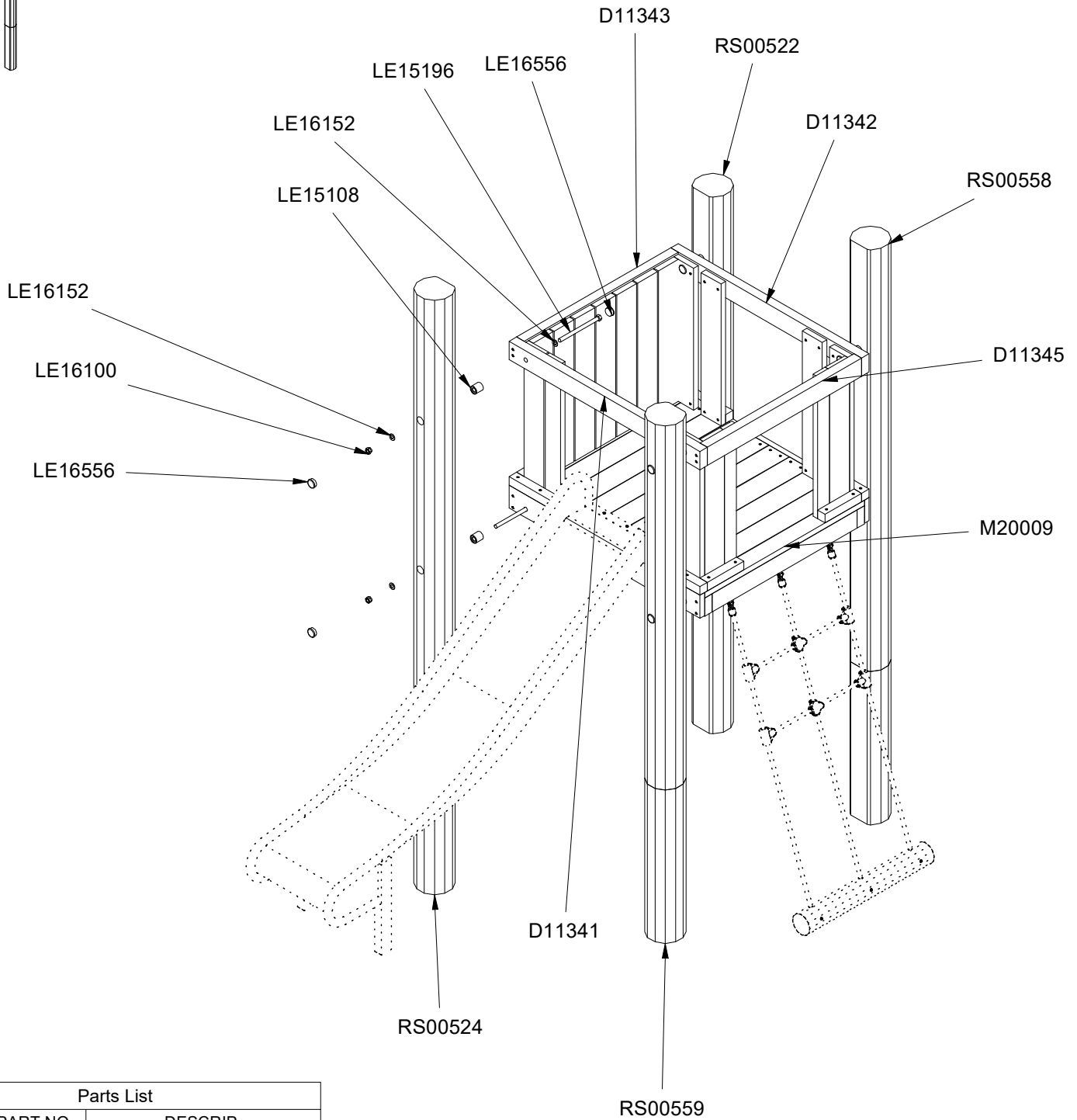
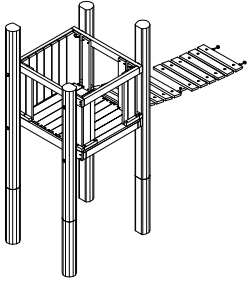
Parts List

QTY	PART NO	DESCRIP.
1	D10169	Sand crane
1	D11885	Suspension bridge
1	D11886	Guardralis, Right
1	D11887	Guardralis, Left
1	D11888	1020x660x120mm, Half floor
1	LA11033	Wooden gutters
1	LE20363	Taifun net
1	M20896	Robinia Ø730mm
1	LE22004	Slide 50x170x195cm

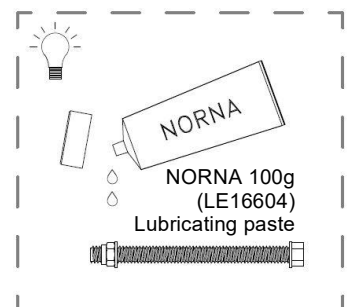


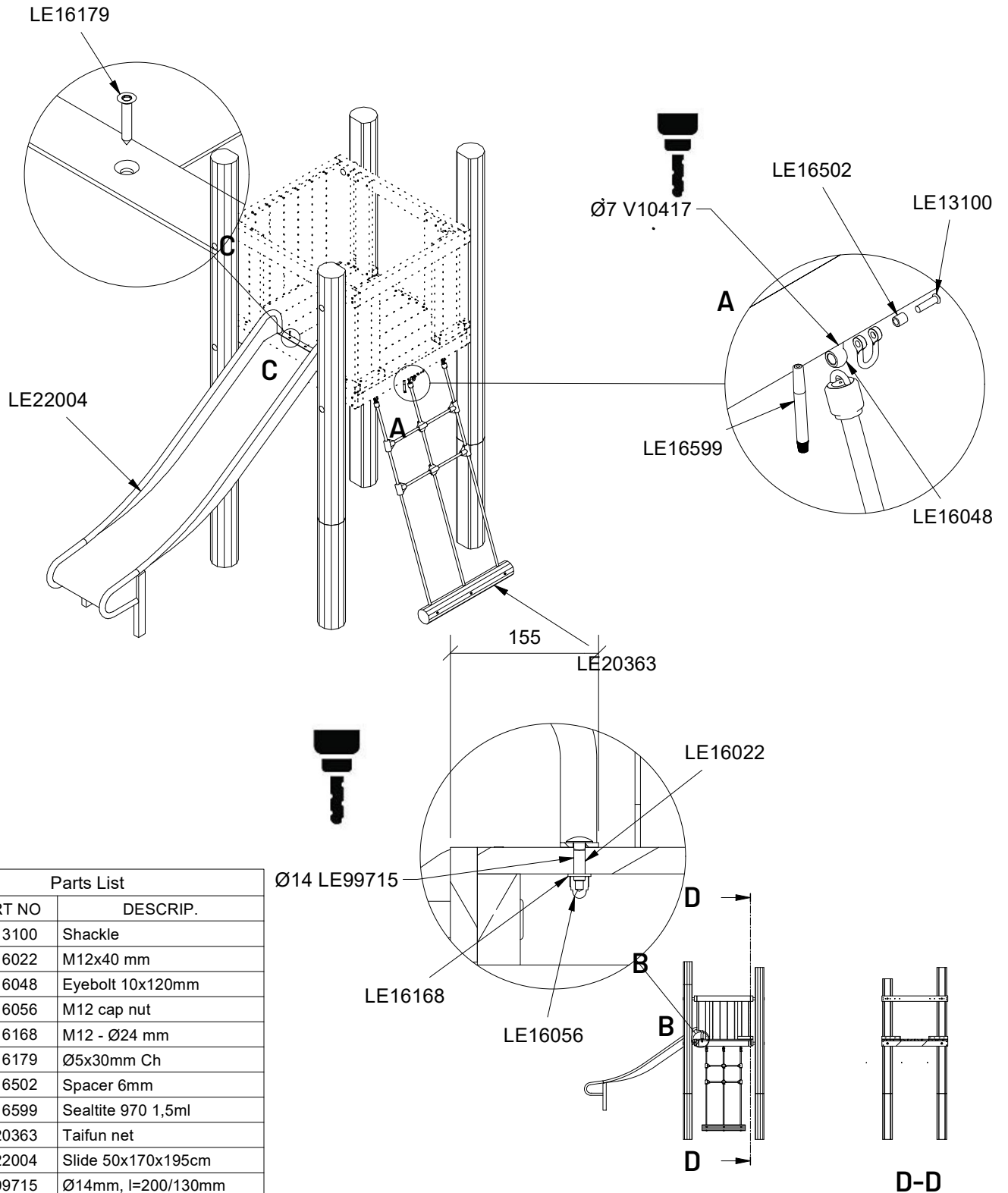
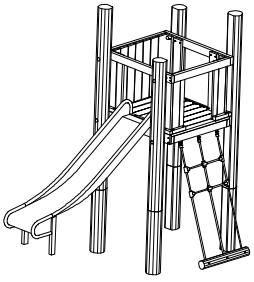


Parts List		
QTY	PART NO	DESCRIP.
1	D11341	1150x750mm, 620mm Gap
3	D11342	1150x750mm, 490mm Gap
2	D11343	930x750mm, Closed
2	D11345	930x750mm, 490mm Gap
16	LE16186	6x100 Ch
38	LE16192	5x80mm
2	M20009	1150x1020mm

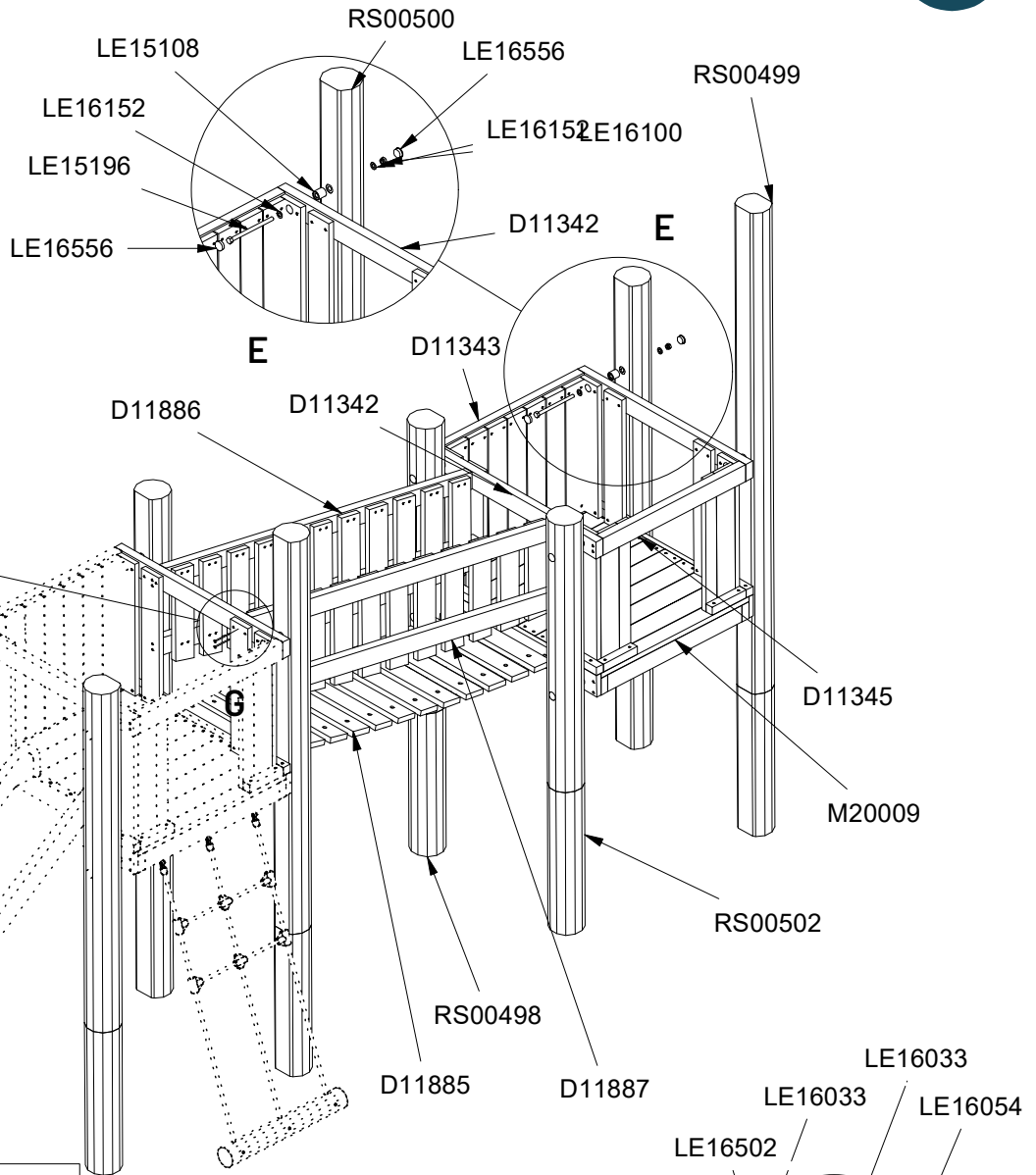
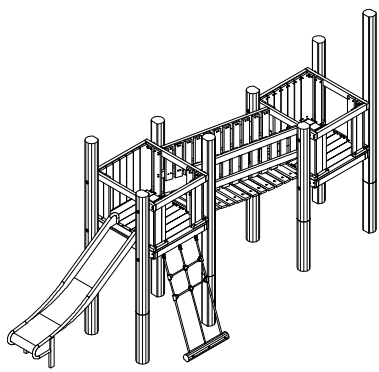


Parts List		
QTY	PART NO	DESCRIP.
1	D11341	1150x750mm, 620mm Gap
1	D11342	1150x750mm, 490mm Gap
1	D11343	930x750mm, Closed
1	D11345	930x750mm, 490mm Gap
8	LE15108	Ø38x40mm
8	LE15196	M16x230 mm
8	LE16100	M16 nut
16	LE16152	M16 - Ø30 mm
16	LE16556	Ø42/38mm
1	M20009	1150x1020mm
1	RS00522	Ø160-180
1	RS00524	Ø160-180
1	RS00558	Ø160-180
1	RS00559	Ø160-180

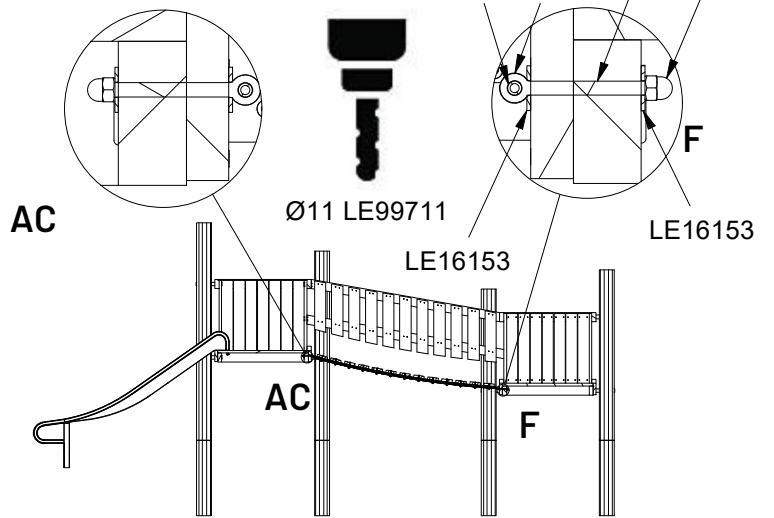




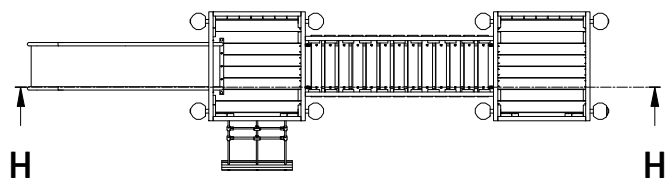
Parts List		
QTY	PART NO	DESCRIP.
3	LE13100	Shackle
2	LE16022	M12x40 mm
3	LE16048	Eyebolt 10x120mm
2	LE16056	M12 cap nut
2	LE16168	M12 - Ø24 mm
3	LE16179	Ø5x30mm Ch
3	LE16502	Spacer 6mm
1	LE16599	Sealtite 970 1,5ml
1	LE20363	Taifun net
1	LE22004	Slide 50x170x195cm
1	LE99715	Ø14mm, l=200/130mm
1	V10417	HSS lang Ø7mm L:156mm

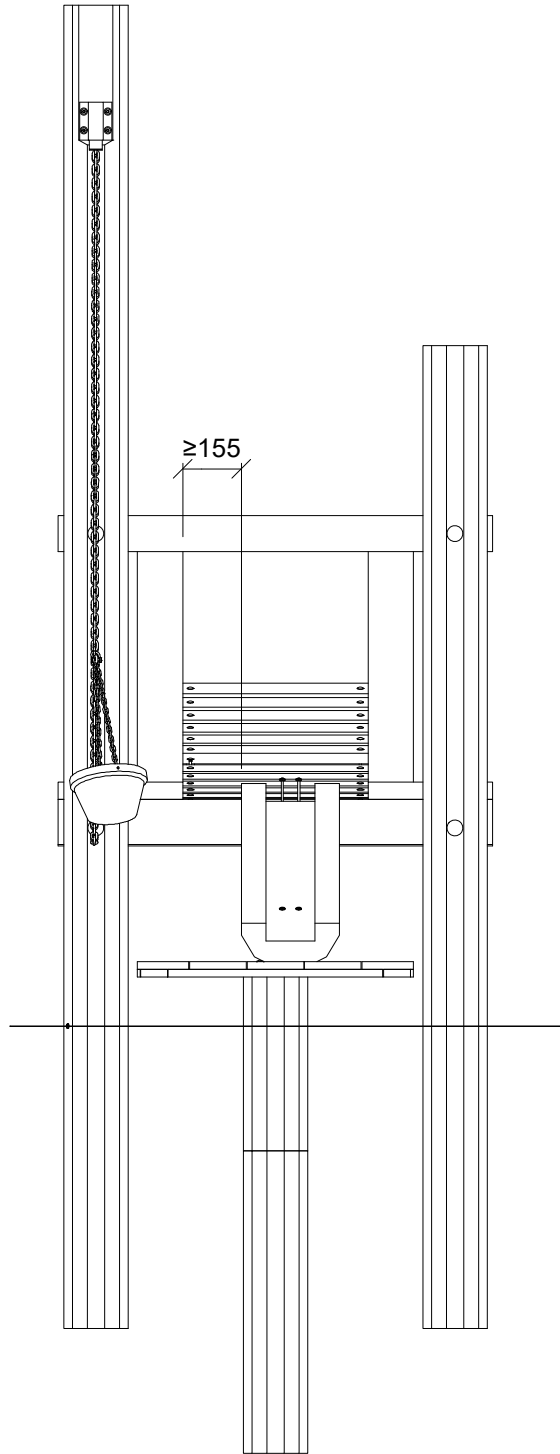
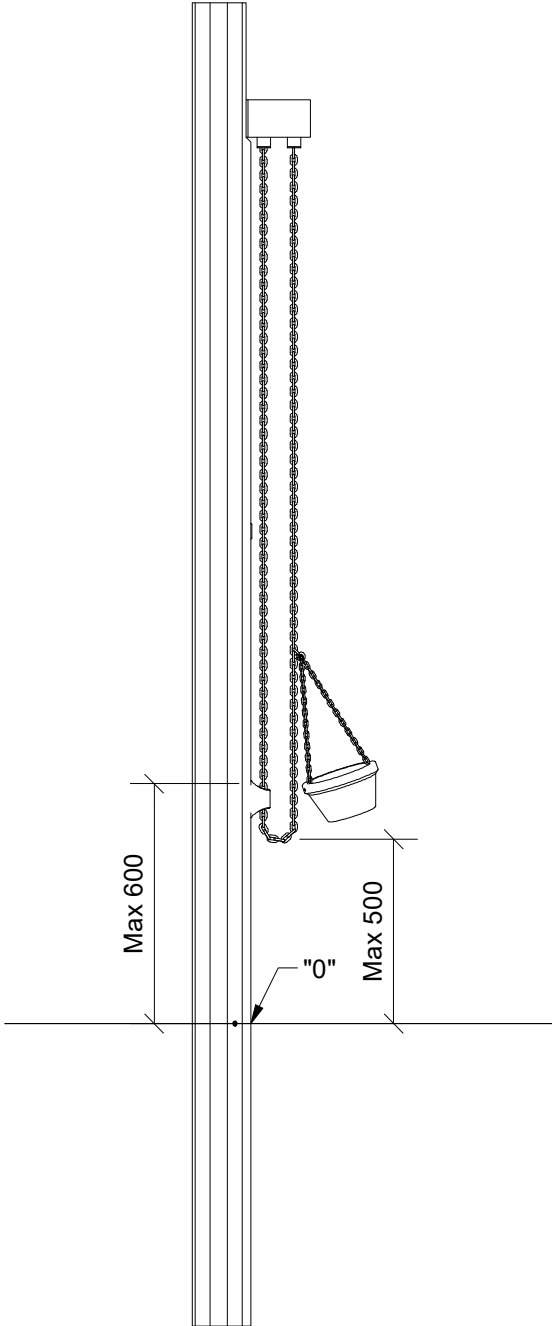


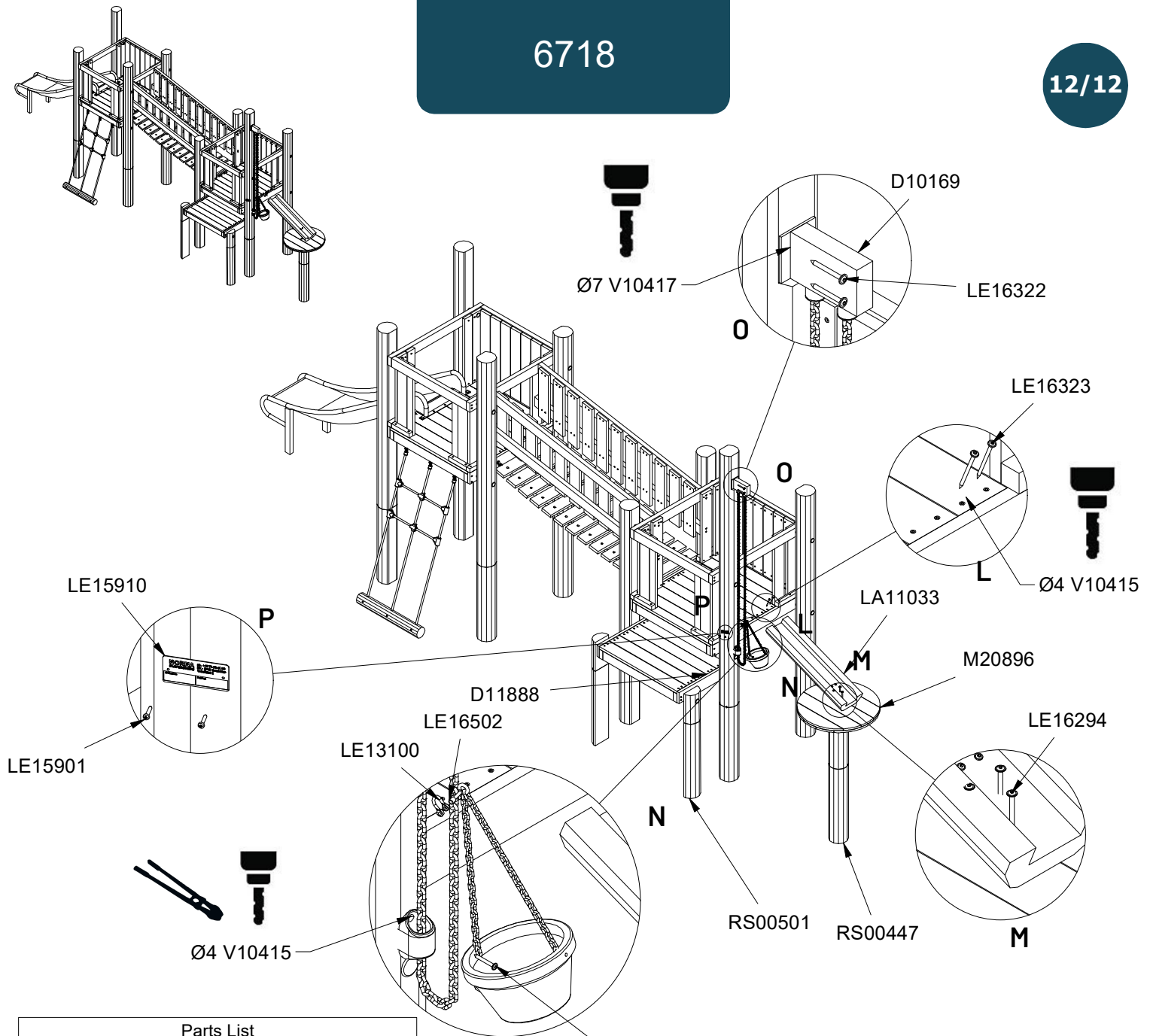
Parts List		
QTY	PART NO	DESCRIP.
2	D11342	1150x750mm, 490mm Gap
1	D11343	930x750mm, Closed
1	D11345	930x750mm, 490mm Gap
1	D11885	Suspension bridge
1	D11886	Guardralis, Right
1	D11887	Guardralis, Left
8	LE15108	Ø38x40mm
8	LE15196	M16x230 mm
4	LE16033	10x90 mm
4	LE16054	M10 cap nut
8	LE16100	M16 nut
16	LE16152	M16 - Ø30 mm
8	LE16153	M10 - Ø29mm
16	LE16186	6x100 Ch
4	LE16502	Spacer 6mm
16	LE16556	Ø42/38mm
1	LE99711	Ø11mm, l=190/120 mm
1	M20009	1150x1020mm
1	RS00498	Ø160-180
1	RS00499	Ø160-180
1	RS00500	Ø160-180
1	RS00502	Ø160-180
1	V10415	HSS Ø4mm L:119mm



H-H







Parts List		
QTY	PART NO	DESCRIP.
1	D10169	Sand crane
1	LE13100	Shackle
1	LE16502	Spacer 6mm
1	D11888	1020x660x120mm, Half floor
1	LA11033	Wooden gutters
4	LE15108	Ø38x40mm
2	LE15250	M16x170 mm
2	LE15901	3x16, PH
1	LE15910	Name tag
2	LE16100	M16 nut
4	LE16152	M16 - Ø30 mm
2	LE16298	8x180/80 Dh
2	LE16320	6x50 Dh
4	LE16322	Ø8x80 Dh
4	LE16323	6x100 Dh
4	LE16556	Ø42/38mm
3	LE16294	Ø8x120/80 mm
1	M20896	Robinia Ø730mm
1	RS00447	Ø160-180
2	RS00501	Ø160-180
1	V10415	HSS Ø4mm L:119mm
1	V10417	HSS lang Ø7mm L:156mm

