
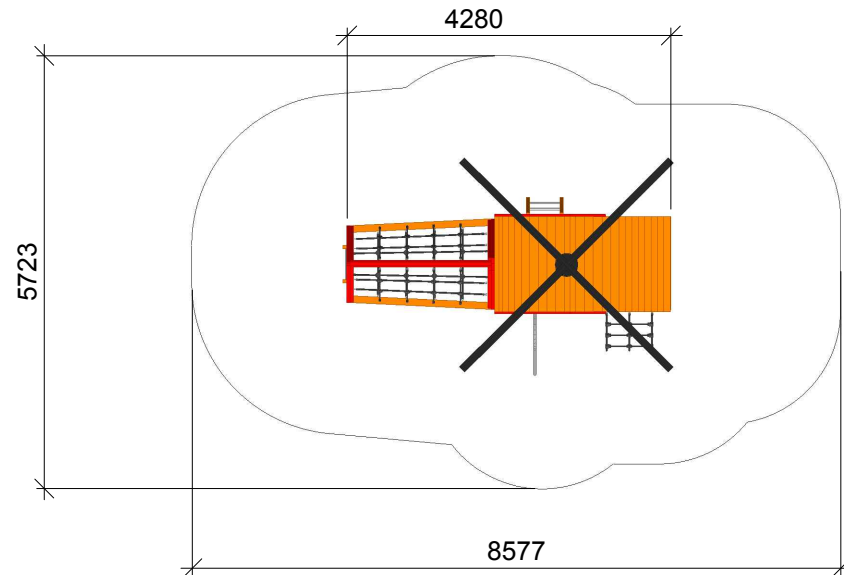
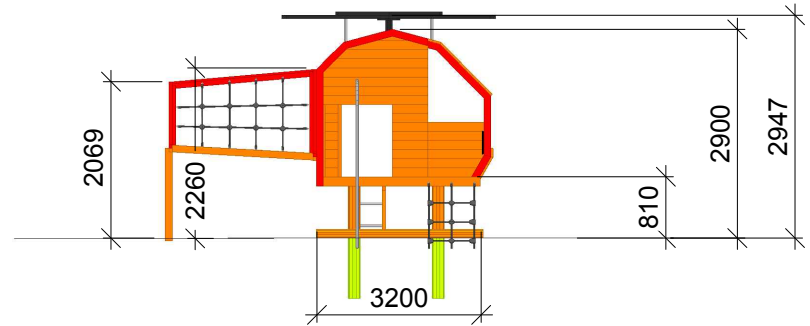
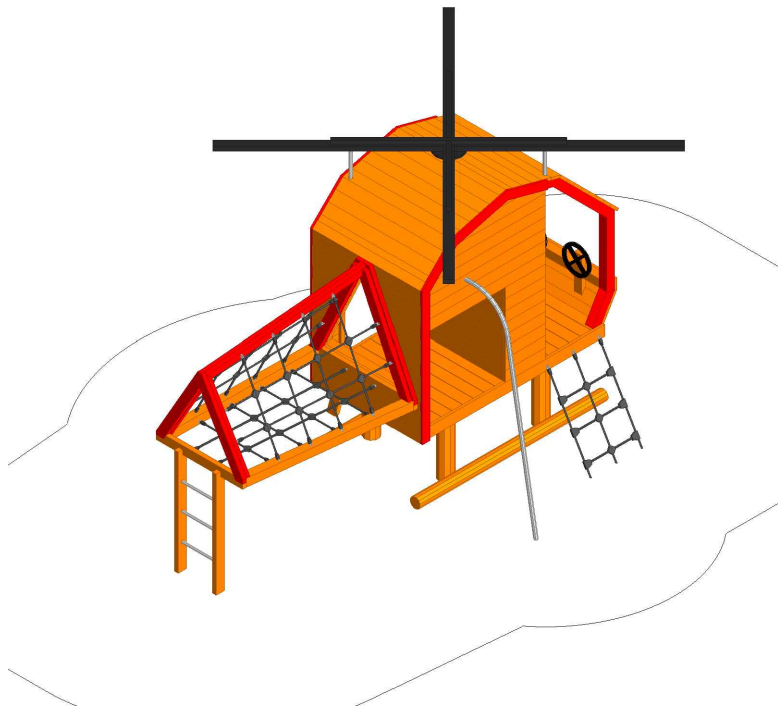


NORLEG	
Helikopter	
Z12130	
06.09.2016	REV. -

< 2250



≥ EN 1176



This drawing is the property of NORLEG and pursuant to current legislation may not be copied, transferred to or used by any third party. Should this drawing be used, a fee of 10% of the assumed contract price will be charged.

1:100


NORLEG - 3D	
Helikopter	
Z12130	
06.09.2016	REV. -



This drawing is the property of NORLEG and pursuant to current legislation may not be copied, transferred to or used by any third party. Should this drawing be used, a fee of 10% of the assumed contract price will be charged.

NORLEG - Mont.	
Helikopter	
Z12130	
06.09.2016	REV. -

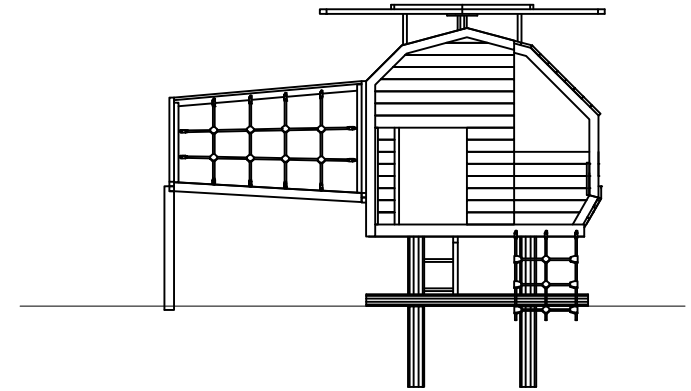
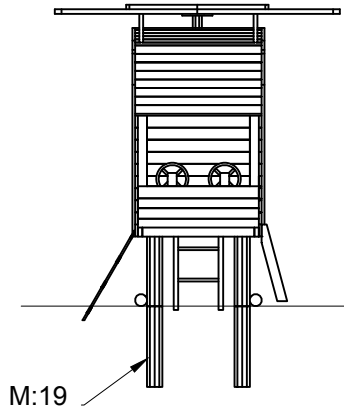
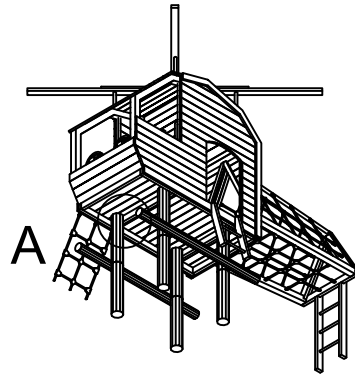
< 2250



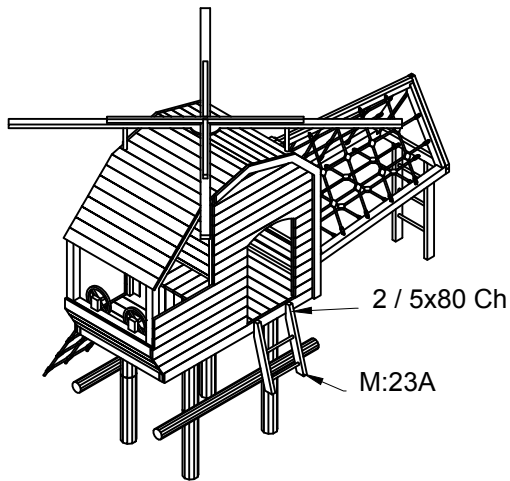
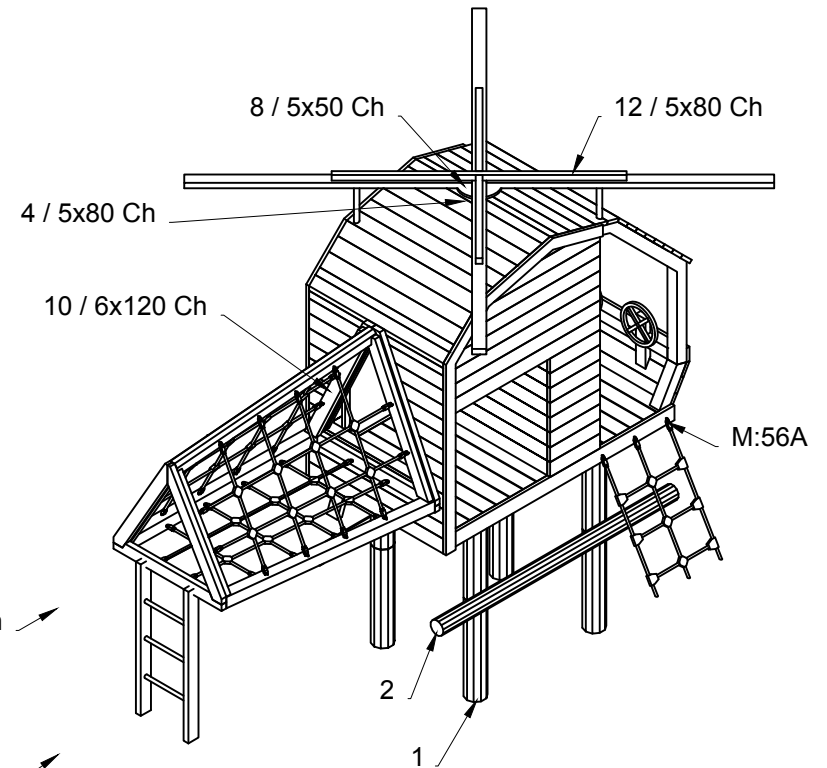
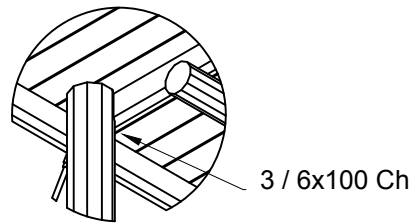
≥ EN 1176

Mont.p. nr.

19
23A
56A



A (1:25)



2 / 5x80 Ch

M:23A

This drawing is the property of NORLEG and pursuant to current legislation may not be copied, transferred to or used by any third party. Should this drawing be used, a fee of 10% of the assumed contract price will be charged.