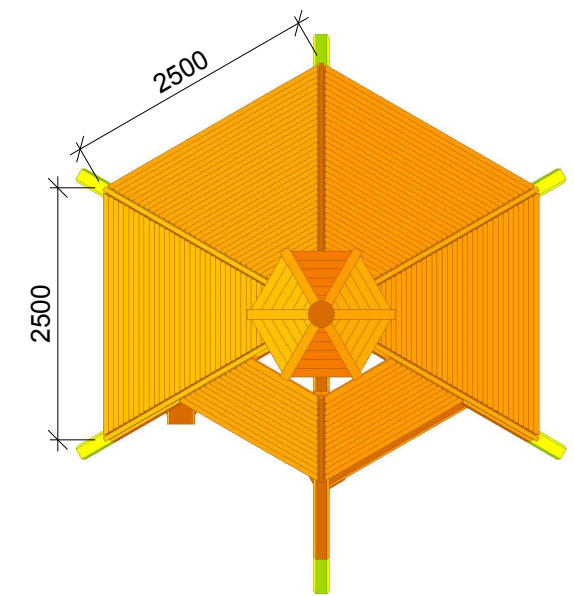
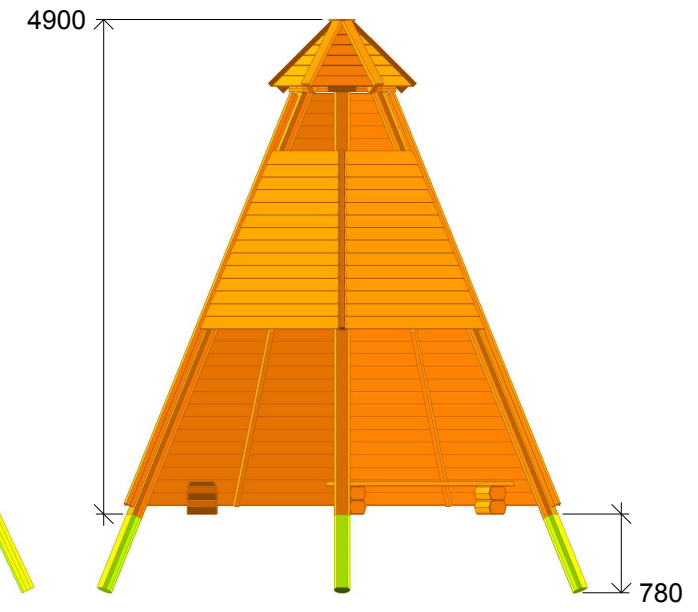
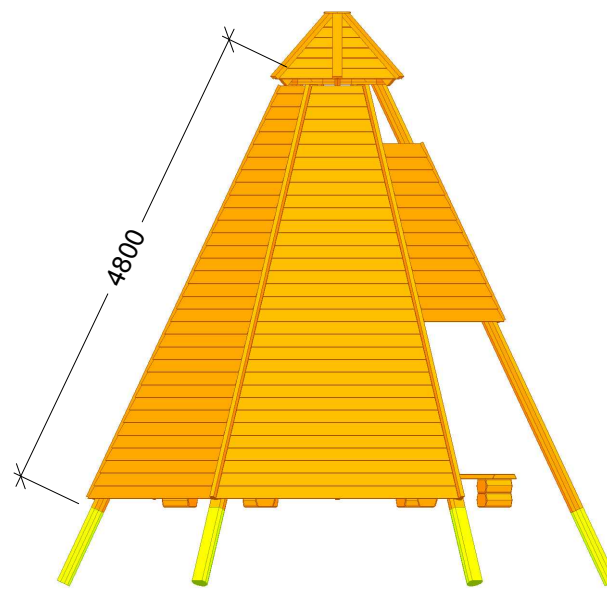


<b>NORLEG</b>	
Gapahuk	
Z12434	
Dato 26.09.2016	REV. -

Ijslander rev. 6676



This drawing is the property of NORLEG and pursuant to current legislation may not be copied, transferred to or used by any third party. Should this drawing be used, a fee of 10% of the assumed contract price will be charged.

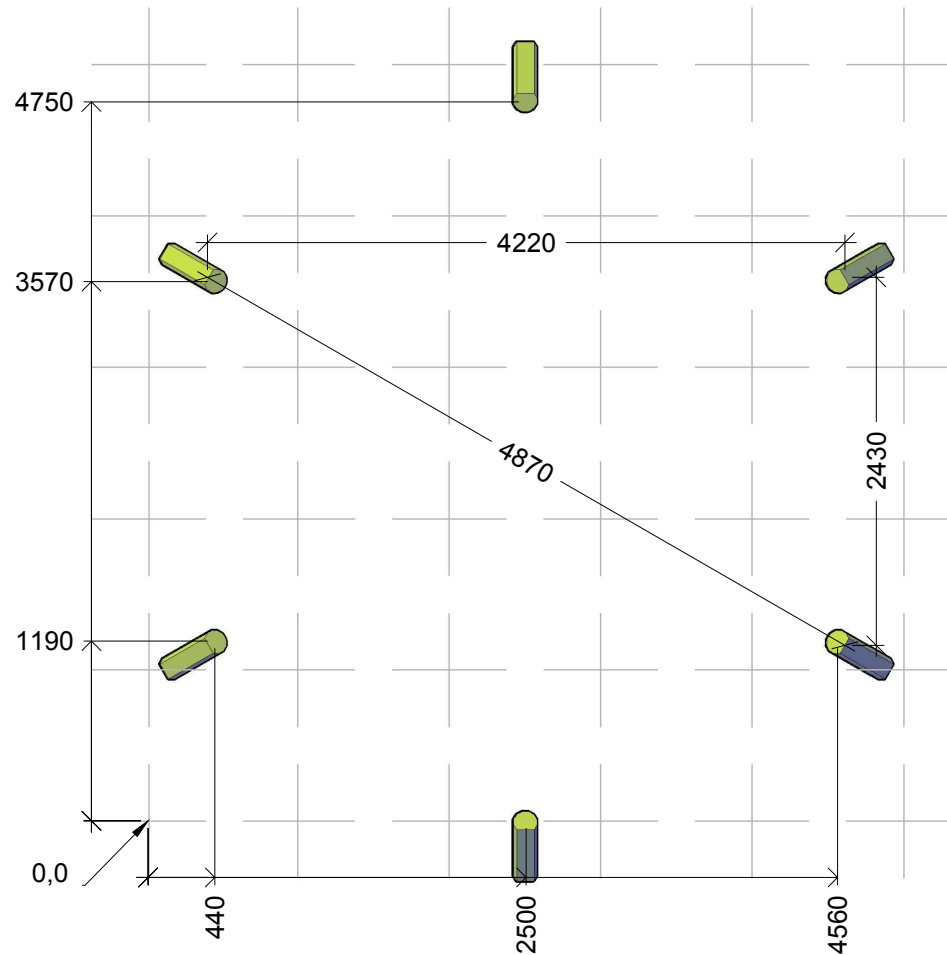
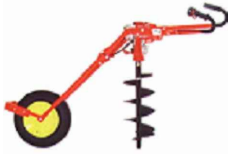
1:75

NORLEG	
Gapahuk	- 3D
Z12434	
Dato 26.09.2016	REV. -



This drawing is the property of NORLEG and pursuant to current legislation may not be copied, transferred to or used by any third party. Should this drawing be used, a fee of 10% of the assumed contract price will be charged.

<b>NORLEG</b>	
Gapahuk	- Mont.
Z12434	
Dato 26.09.2016	REV. -



This drawing is the property of NORLEG and pursuant to current legislation may not be copied, transferred to or used by any third party. Should this drawing be used, a fee of 10% of the assumed contract price will be charged.

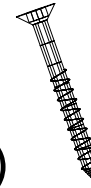
1:50

<b>NORLEG</b>	
Gapahuk	- Mont.
Z12434	
Dato 26.09.2016	REV. -

By assembly. Drilling and use of saw must be expected.

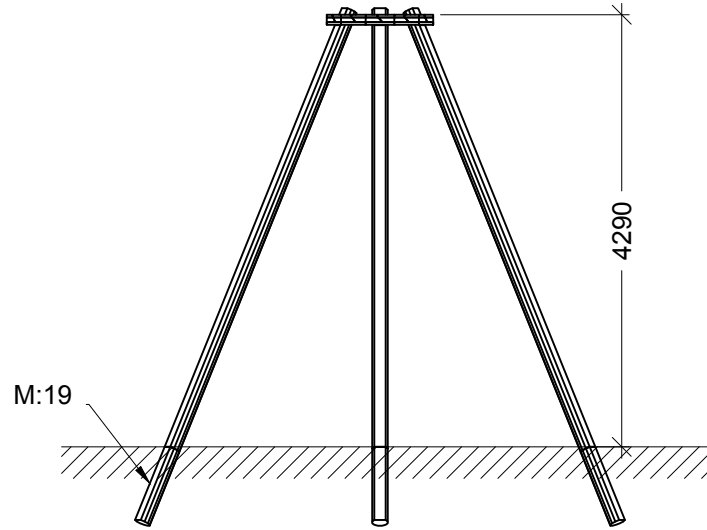
Dh = Disk head

Ch = Countersunk head

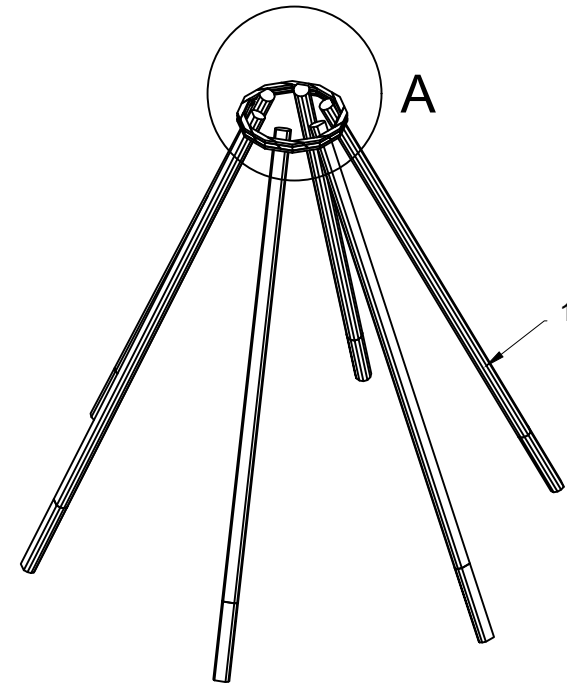
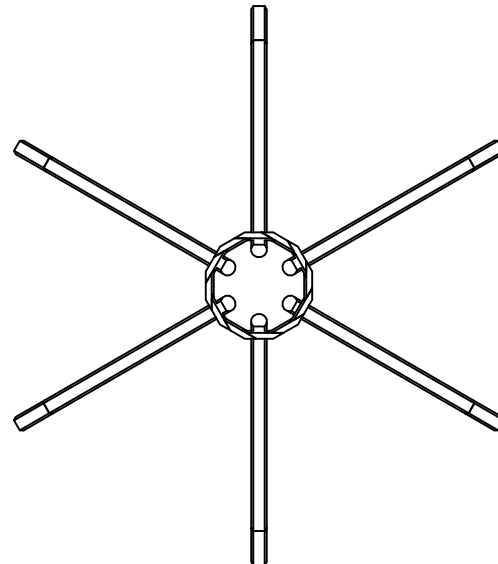
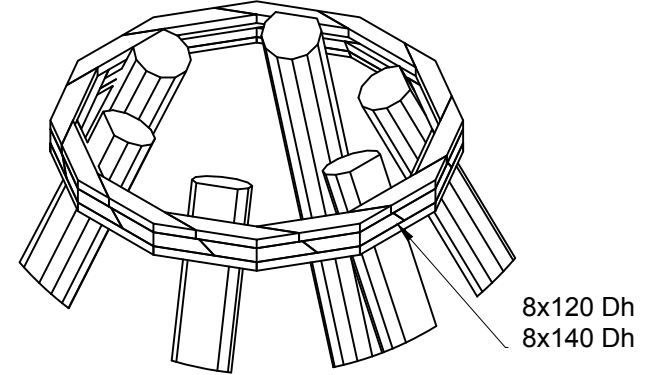


Mont.p. nr.

19



A (1:20)

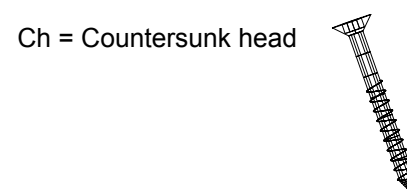
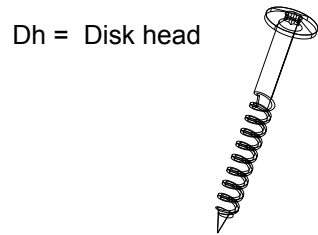


This drawing is the property of NORLEG and pursuant to current legislation may not be copied, transferred to or used by any third party. Should this drawing be used, a fee of 10% of the assumed contract price will be charged.

1:75

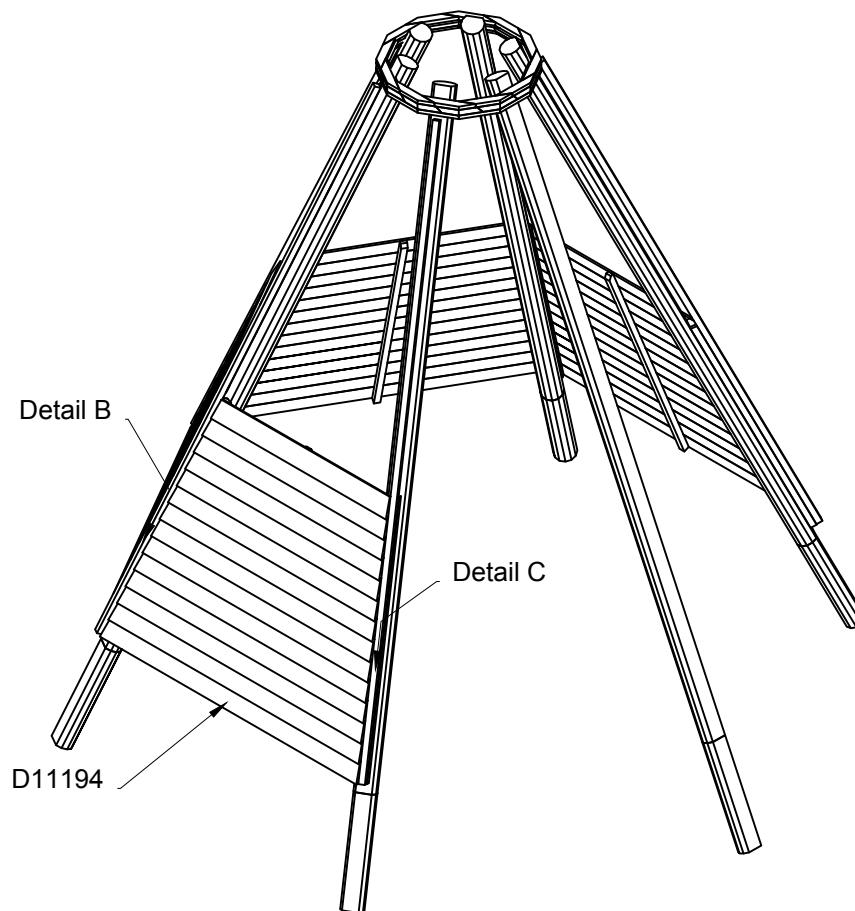
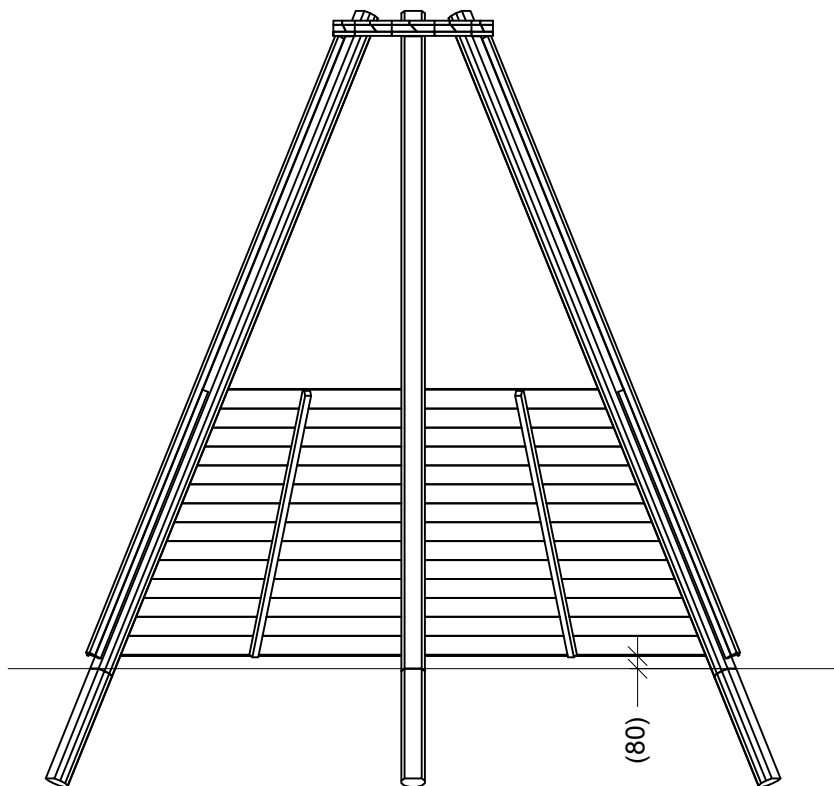
<b>NORLEG</b>	
Gapahuk	- Mont.
Z12434	
Dato 26.09.2016	REV. -

By assembly. Drilling and use of saw must be expected.



Mont.p. nr.

19



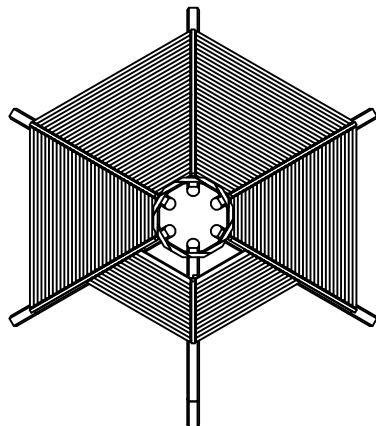
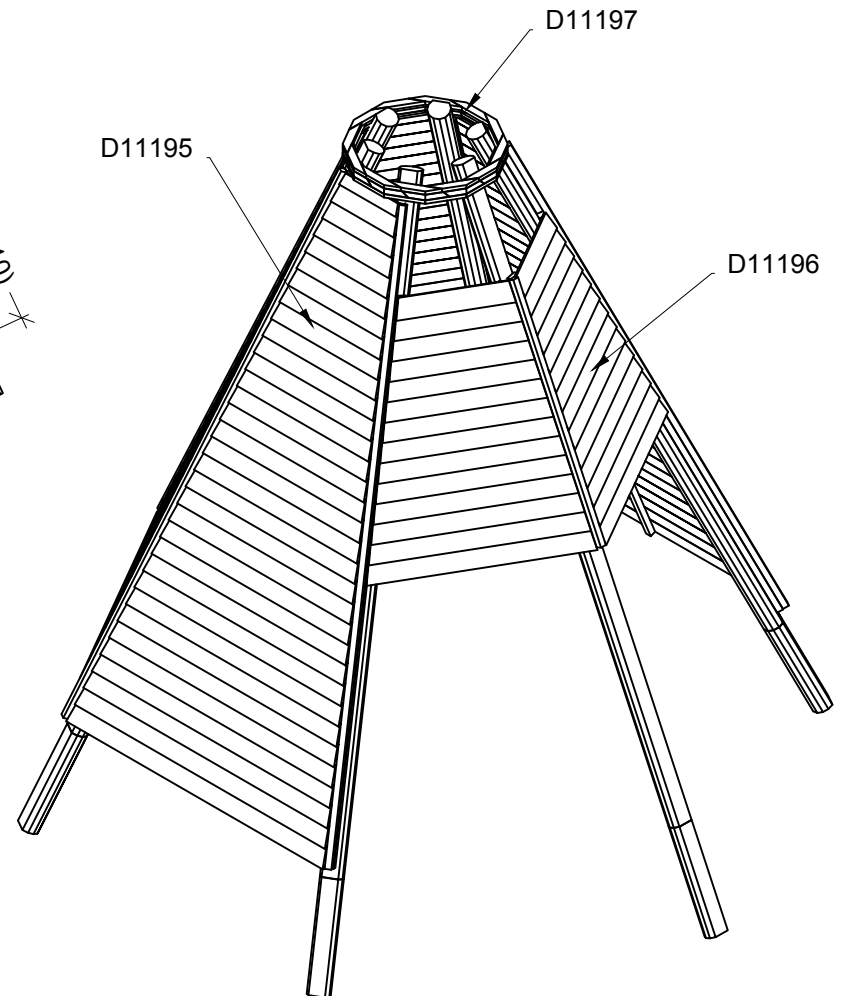
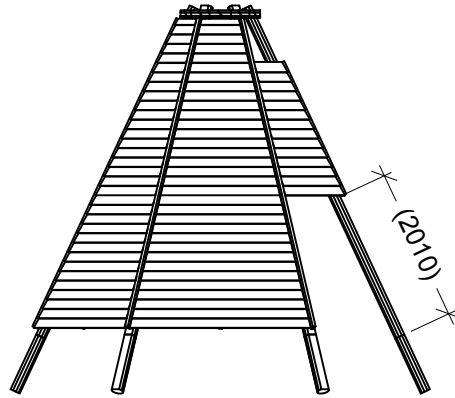
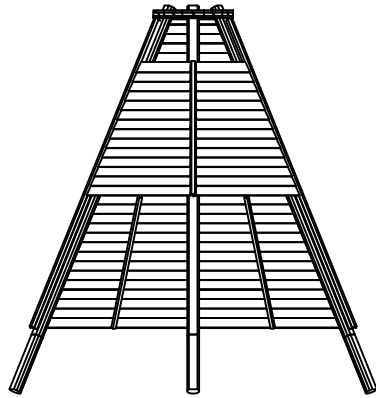
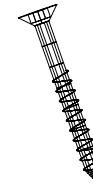
<b>NORLEG</b>	
Gapahuk	- Mont.
Z12434	
Dato 26.09.2016	REV. -

By assembly. Drilling and use of saw must be expected.

Dh = Disk head



Ch = Countersunk head

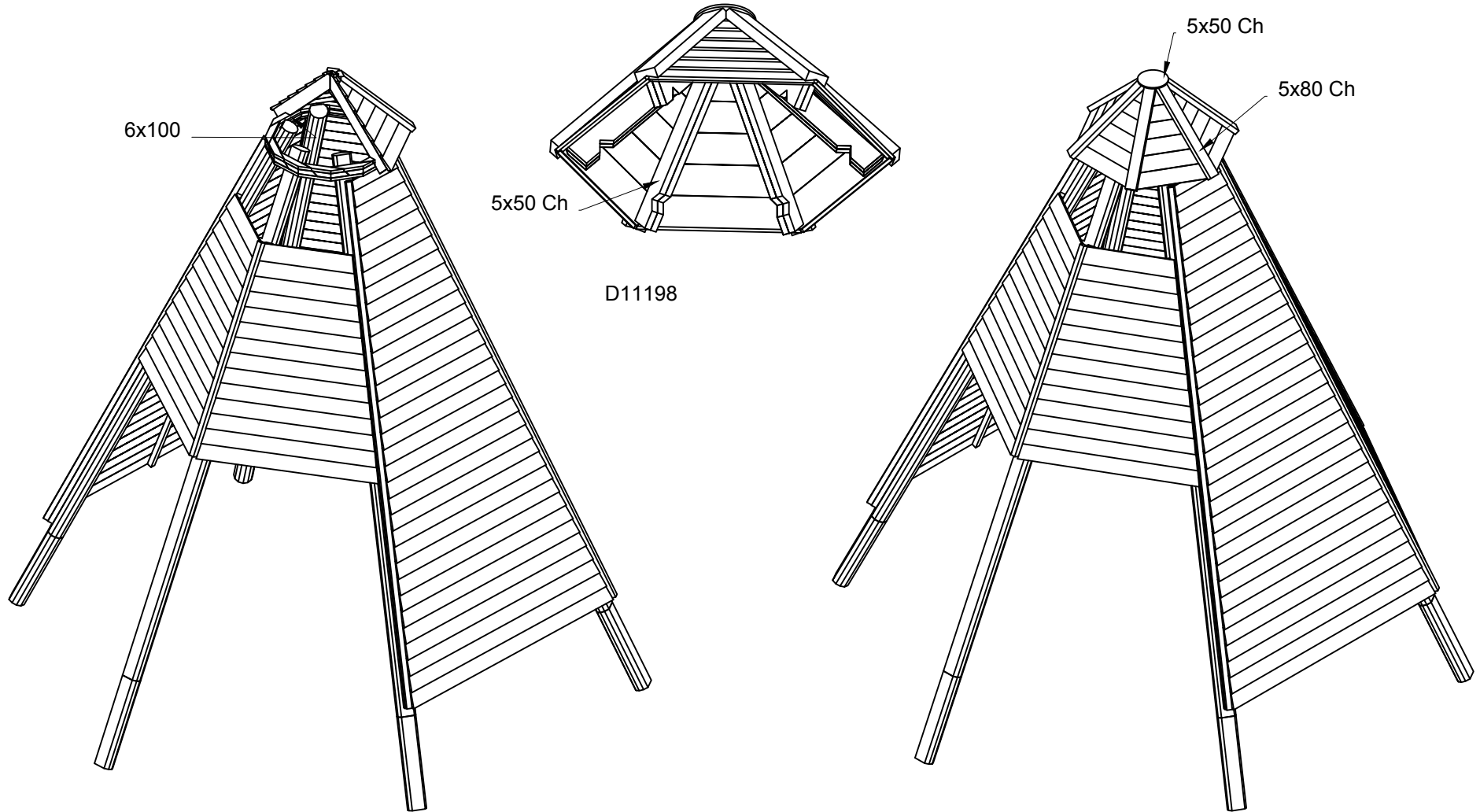
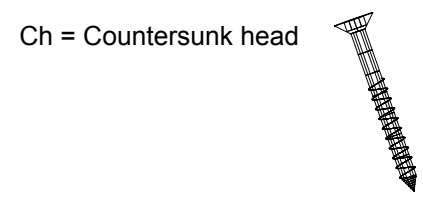
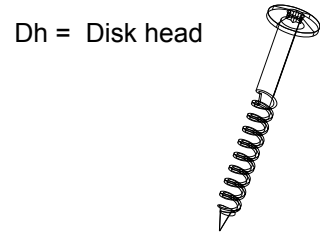


This drawing is the property of NORLEG and pursuant to current legislation may not be copied, transferred to or used by any third party. Should this drawing be used, a fee of 10% of the assumed contract price will be charged.

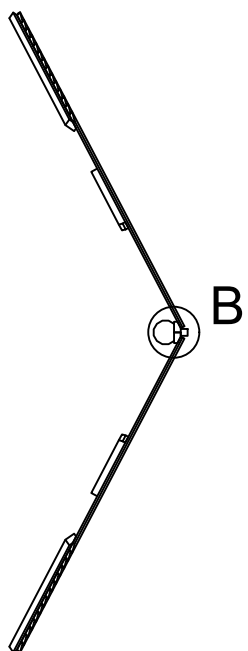
1:75

<b>NORLEG</b>	
Gapahuk	- Mont.
Z12434	
Dato 26.09.2016	REV. -

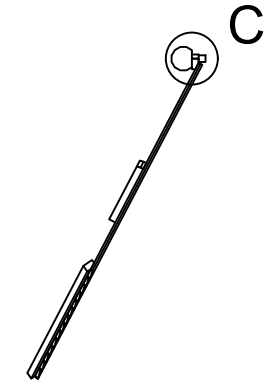
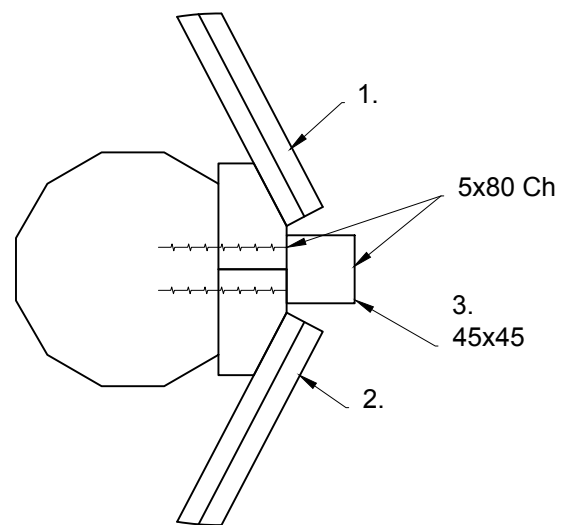
By assembly. Drilling and use of saw must be expected.



<b>NORLEG</b>	
Gapahuk	- Mont.
Z12434	
Dato 26.09.2016	REV. -



**B (1:5)**



**C (1:5)**

