

2



6h



21 m²



5,7 x 4,5 x 2,7 m



~619 kg



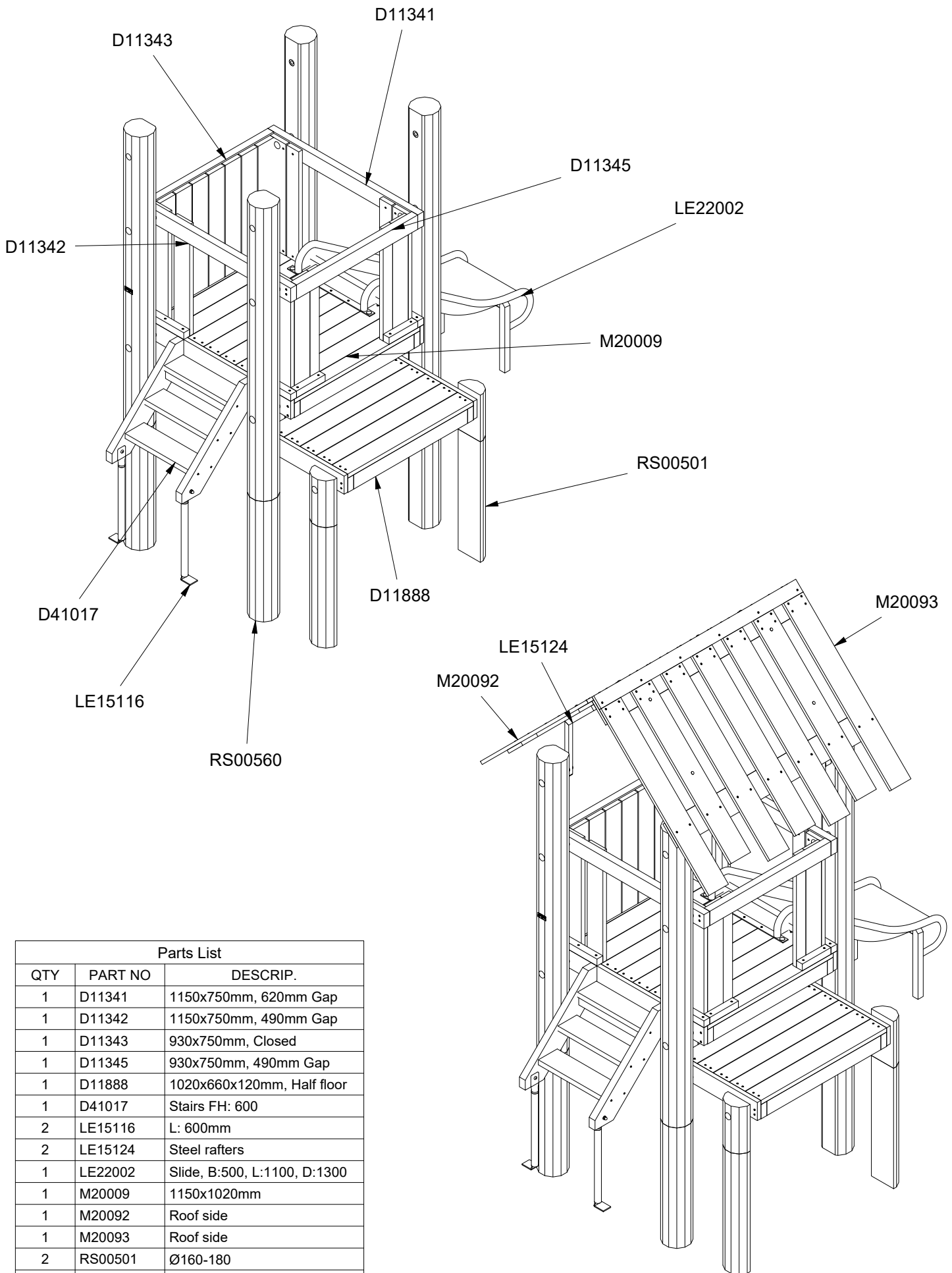
~0,23 m³



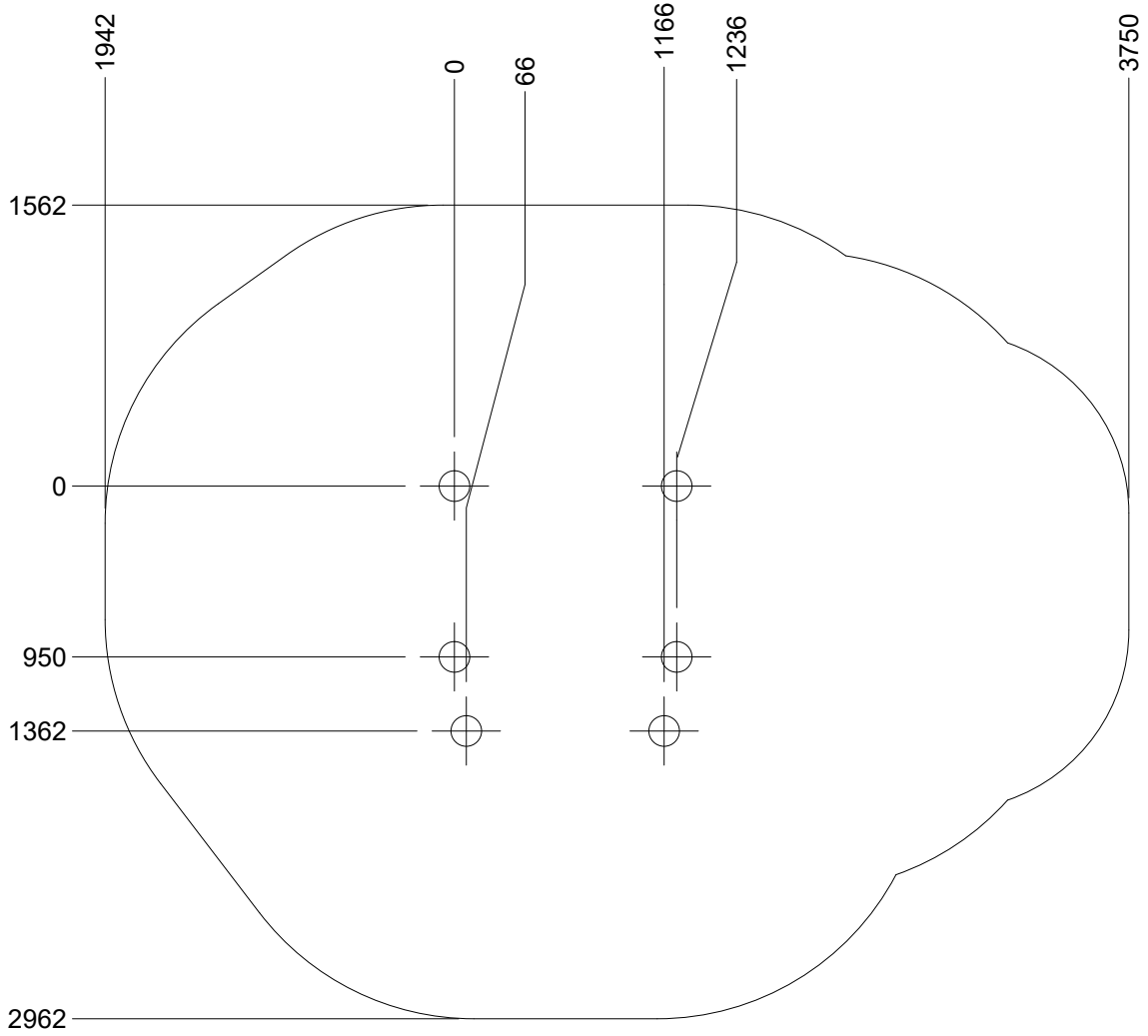
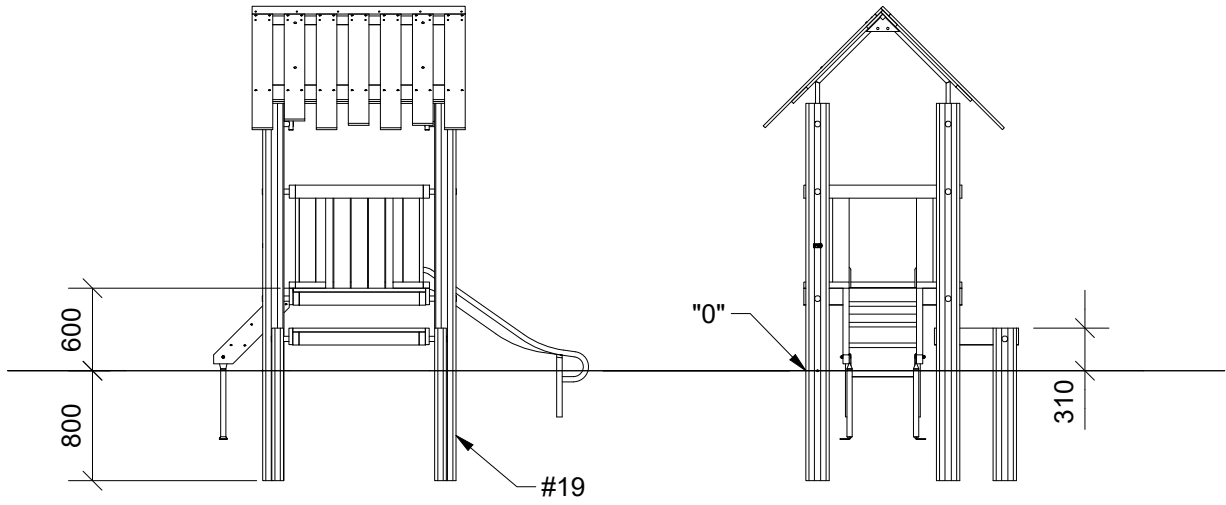
Ø16/18 x 275 cm

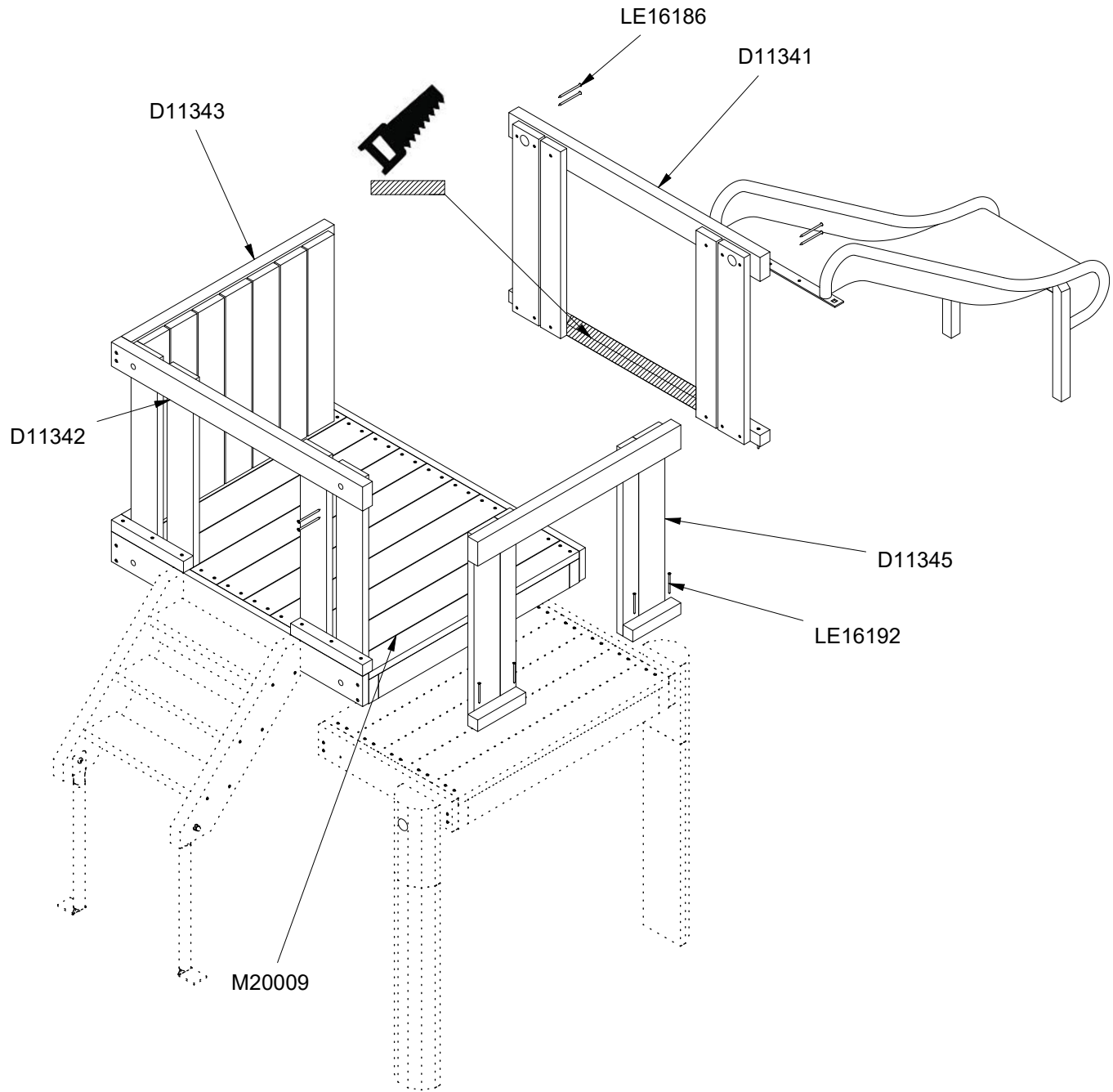


69 kg

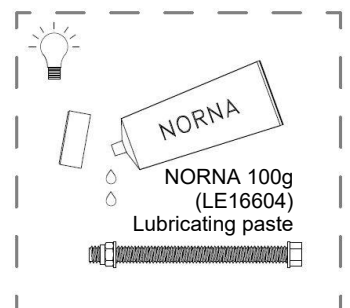


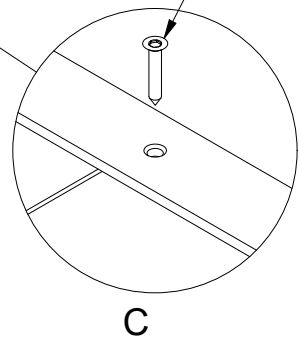
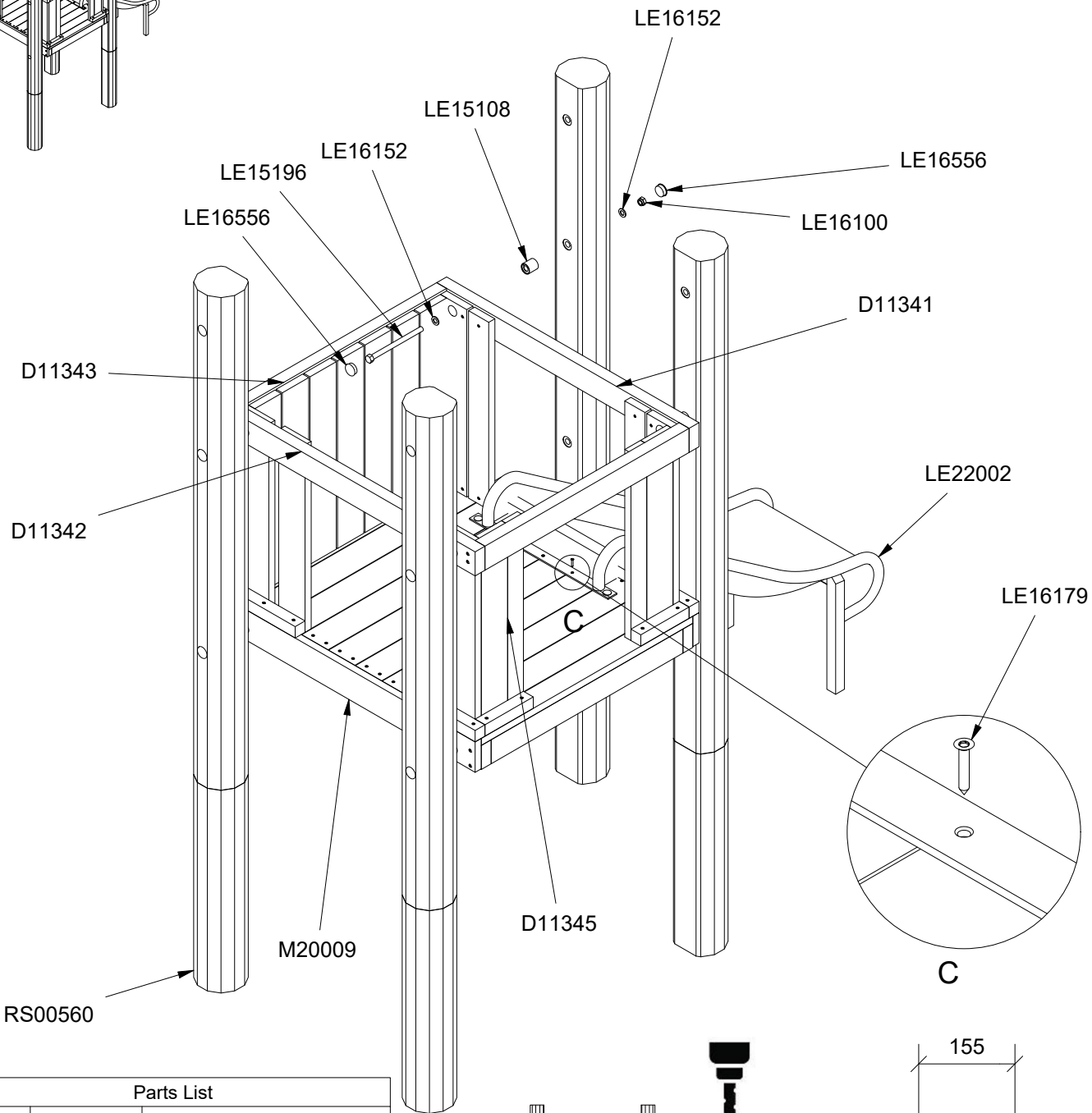
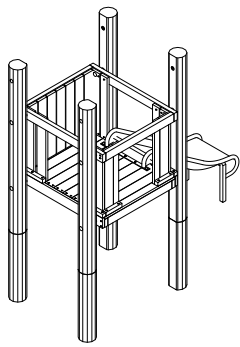
Parts List		
QTY	PART NO	DESCRIP.
1	D11341	1150x750mm, 620mm Gap
1	D11342	1150x750mm, 490mm Gap
1	D11343	930x750mm, Closed
1	D11345	930x750mm, 490mm Gap
1	D11888	1020x660x120mm, Half floor
1	D41017	Stairs FH: 600
2	LE15116	L: 600mm
2	LE15124	Steel rafters
1	LE22002	Slide, B:500, L:1100, D:1300
1	M20009	1150x1020mm
1	M20092	Roof side
1	M20093	Roof side
2	RS00501	Ø160-180
4	RS00560	Ø160-180



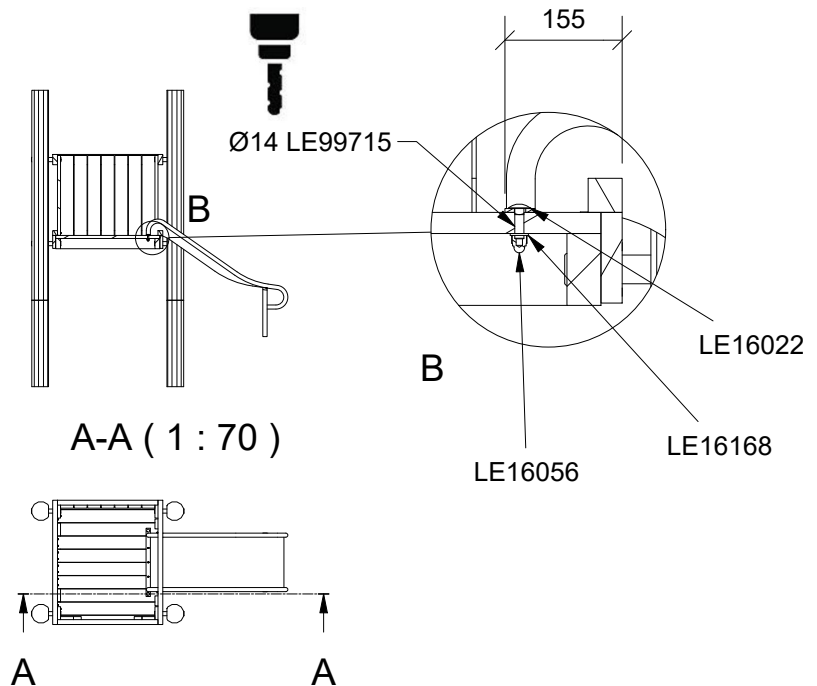


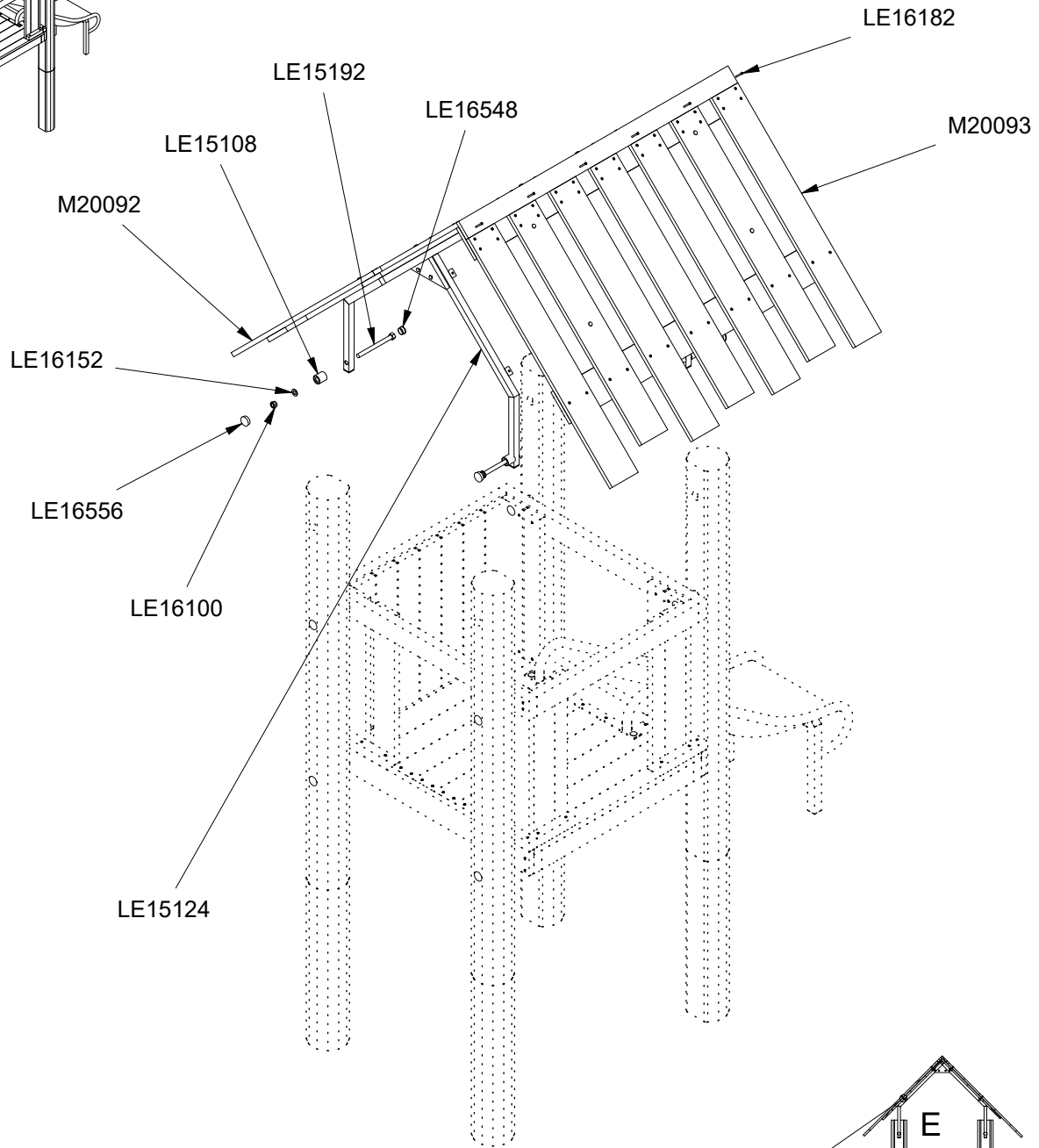
Parts List		
QTY	PART NO	DESCRIP.
1	D11341	1150x750mm, 620mm Gap
1	D11342	1150x750mm, 490mm Gap
1	D11343	930x750mm, Closed
1	D11345	930x750mm, 490mm Gap
8	LE16186	6x100 Ch
19	LE16192	5x80mm
1	M20009	1150x1020mm



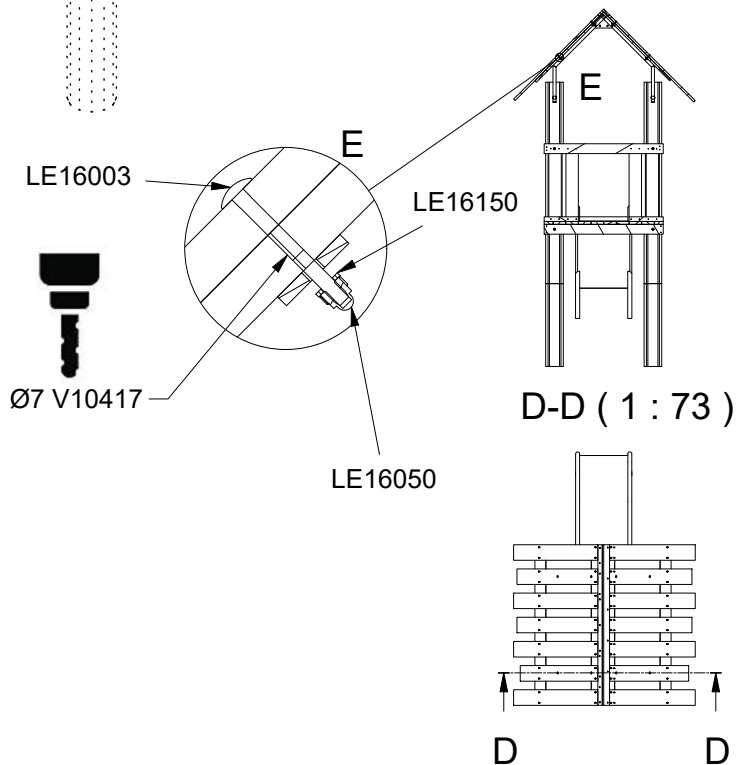


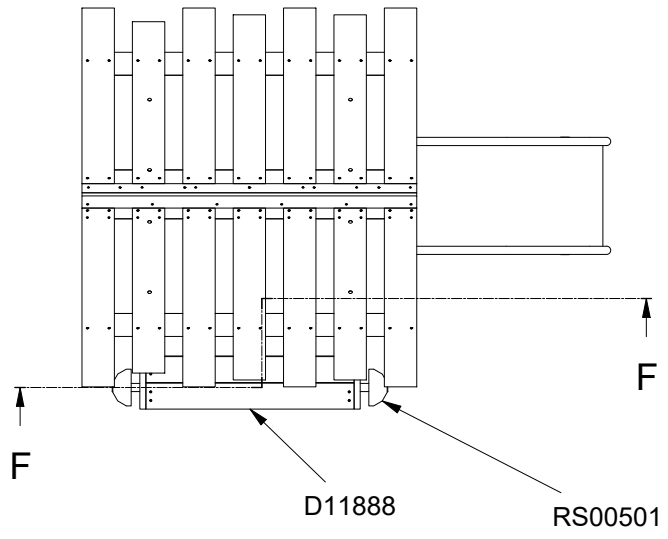
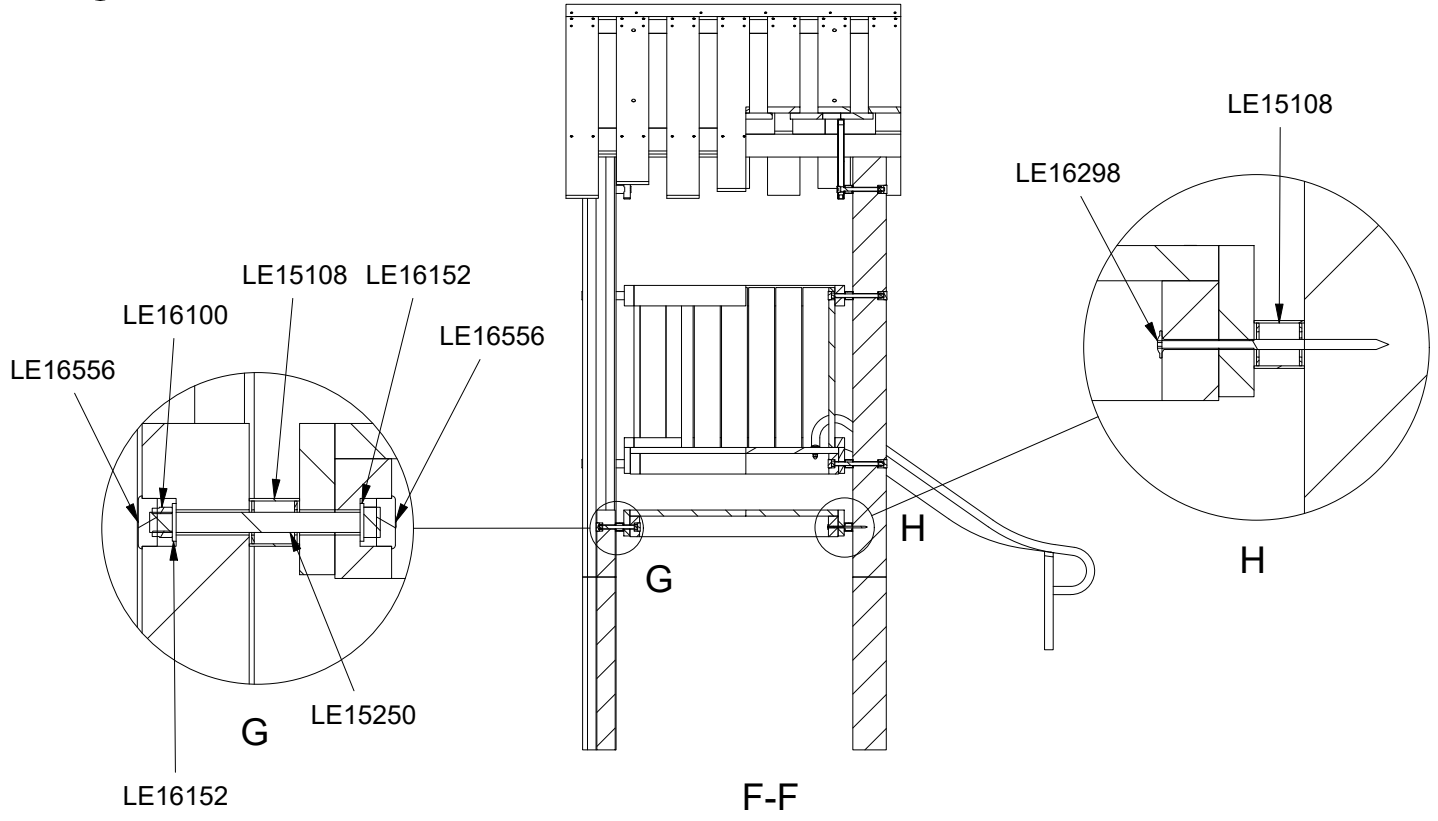
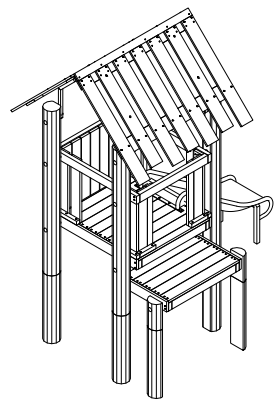
Parts List		
QTY	PART NO	DESCRIP.
1	D11341	1150x750mm, 620mm Gap
1	D11342	1150x750mm, 490mm Gap
1	D11343	930x750mm, Closed
1	D11345	930x750mm, 490mm Gap
8	LE15108	Ø38x40mm
8	LE15196	M16x230 mm
2	LE16022	M12x40 mm
2	LE16056	M12 cap nut
8	LE16100	M16 nut
16	LE16152	M16 - Ø30 mm
2	LE16168	M12 - Ø24 mm
3	LE16179	Ø5x30mm Ch
16	LE16556	Ø42/38mm
1	LE22002	Slide, B:500, L:1100, D:1300
1	LE99715	Ø14mm, l=200/130mm
1	M20009	1150x1020mm
4	RS00560	Ø160-180



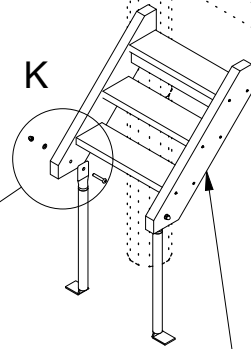
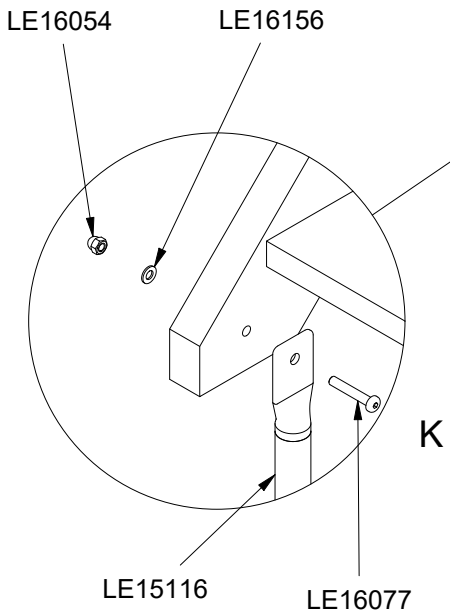
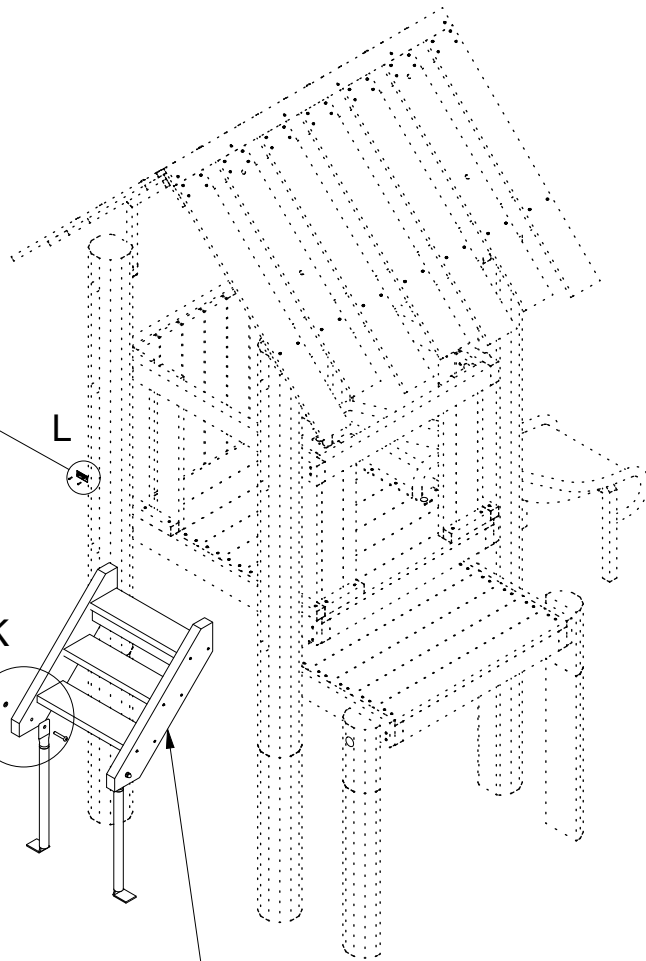
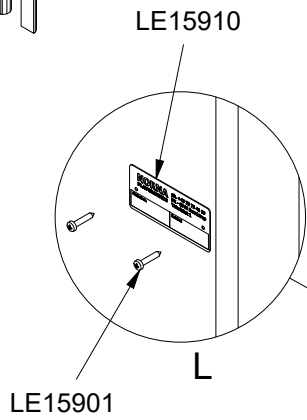
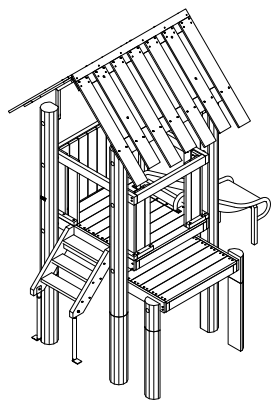


Parts List		
QTY	PART NO	DESCRIP.
4	LE15108	Ø38x40mm
2	LE15124	Steel rafters
4	LE15192	M16x190 mm
8	LE16003	M6x60
8	LE16050	M6 DIN 986
4	LE16100	M16 nut
8	LE16150	M6
4	LE16152	M16 - Ø30 mm
11	LE16182	Ø5x50mm
4	LE16548	Cap Ø28 hole
4	LE16556	Ø42/38mm
1	M20092	Roof side
1	M20093	Roof side
1	V10417	HSS lang Ø7mm L:156mm

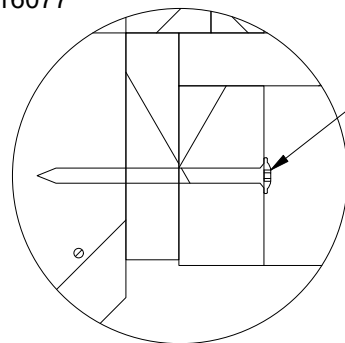




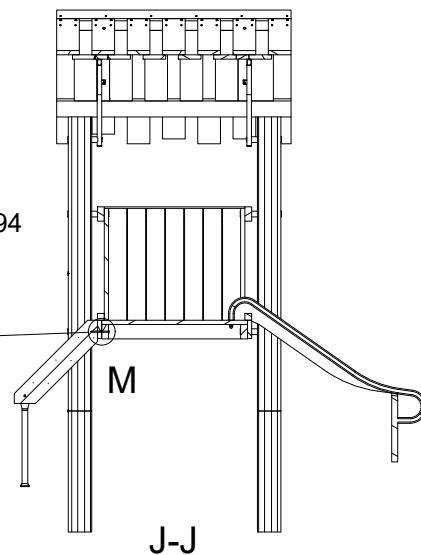
Parts List		
QTY	PART NO	DESCRIP.
1	D11888	1020x660x120mm, Half floor
4	LE15108	Ø38x40mm
2	LE15250	M16x170 mm
2	LE16100	M16 nut
4	LE16152	M16 - Ø30 mm
2	LE16298	8x180/80 Dh
4	LE16556	Ø42/38mm
2	RS00501	Ø160-180



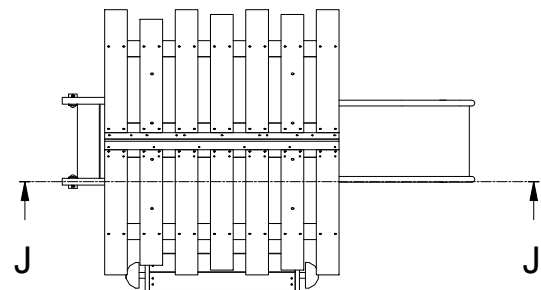
D41017



M



J-J



Parts List		
QTY	PART NO	DESCRIP.
1	D41017	Stairs FH: 600
2	LE15116	L: 600mm
2	LE15901	3x16, PH
1	LE15910	Name tag
2	LE16054	M10 cap nut
2	LE16077	Buttonhead 10x60mm
2	LE16156	M10-Ø20
2	LE16294	Ø8x120/80 mm