


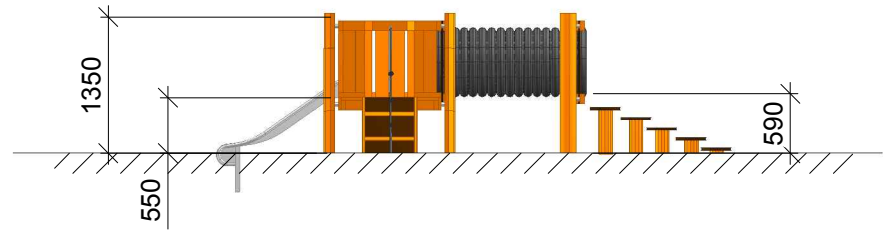
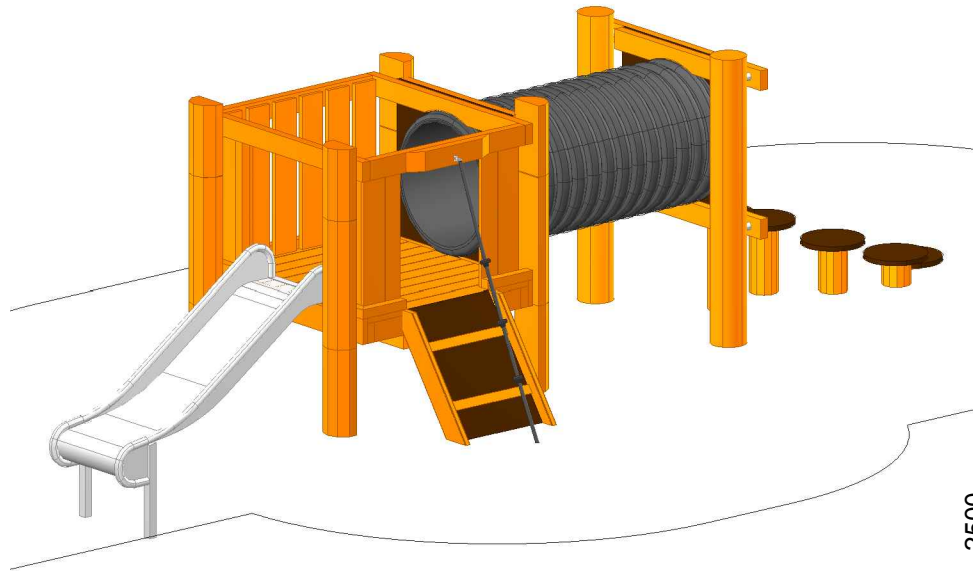
NORLEG	
Klatresysteem Idun	
LE 20722	
26.03.2015	REV. -

< 600

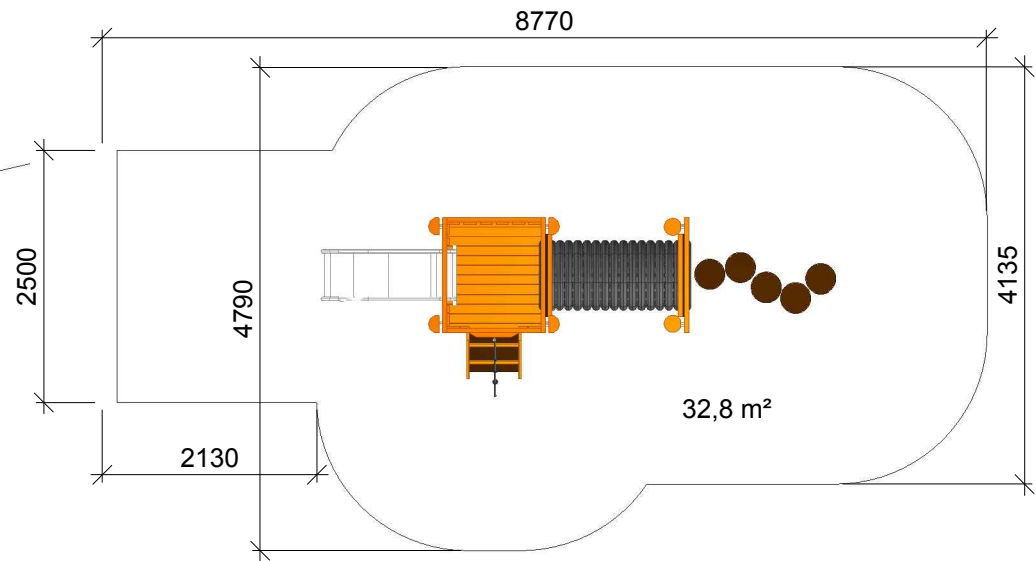


≥ EN 1176

Ijlander rev. 6659



1:75



1:75

This drawing is the property of NORLEG and pursuant to current legislation may not be copied, transferred to or used by any third party. Should this drawing be used, a fee of 10% of the assumed contract price will be charged.



Ijlander BV
 Oude Dijk 10
 8096 RK Oldebroek | The Netherlands
 T +31 (0)525 633420 | F +31 (0)525 631067
 info@ijlander.com | www.ijlander.com

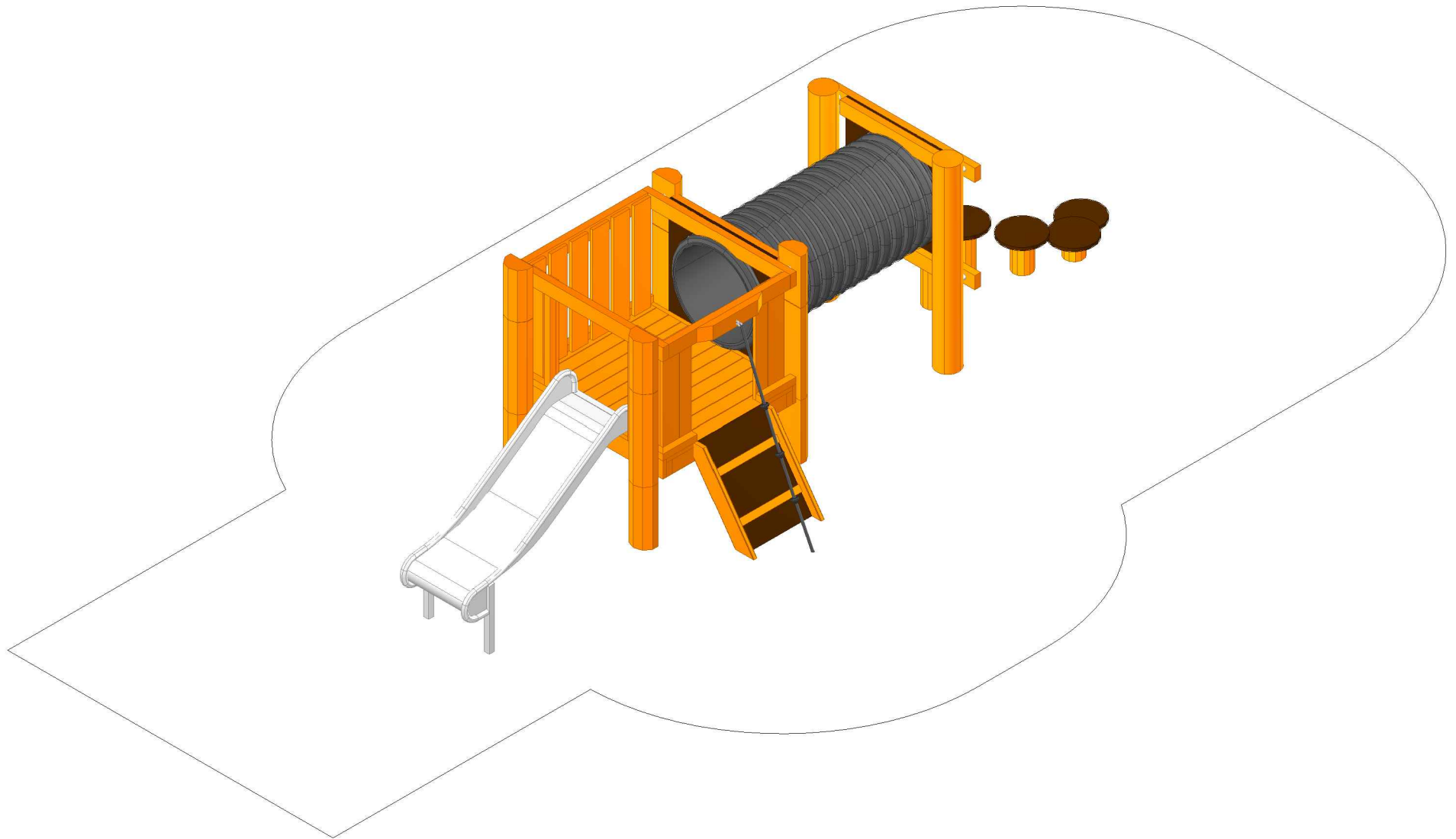
NORLEG - 3D

Klatresystem Idun

LE 20722


26.03.2015

REV. -



NORLEG - Mont.	
Klatresystem Idun	
LE 20722	
26.03.2015	REV. -

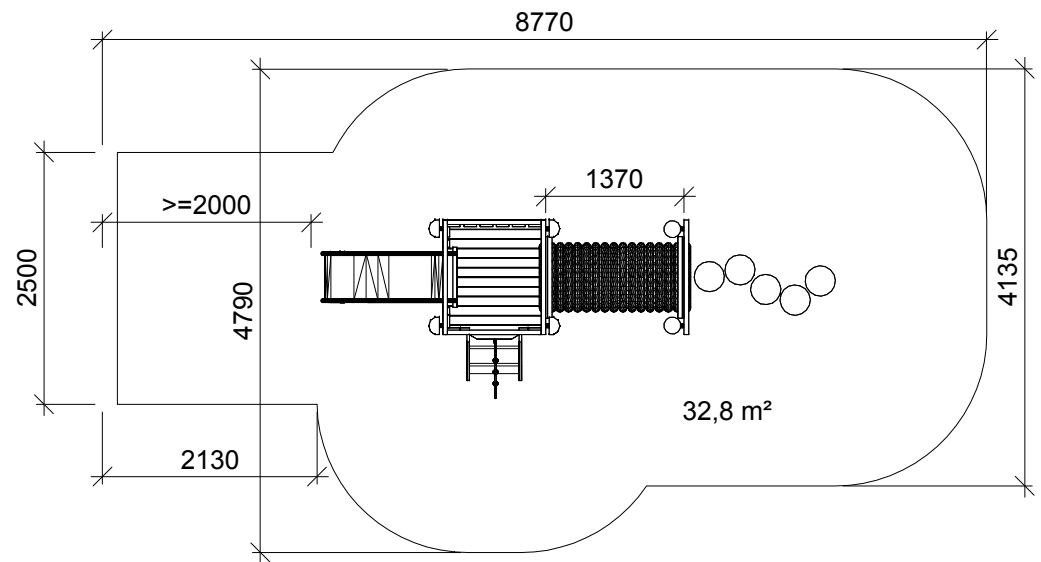
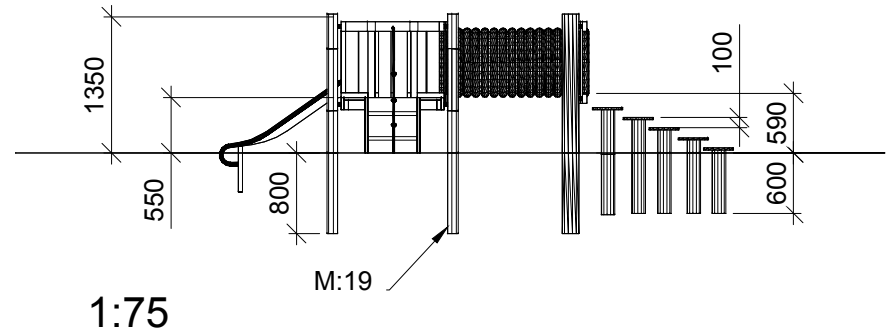
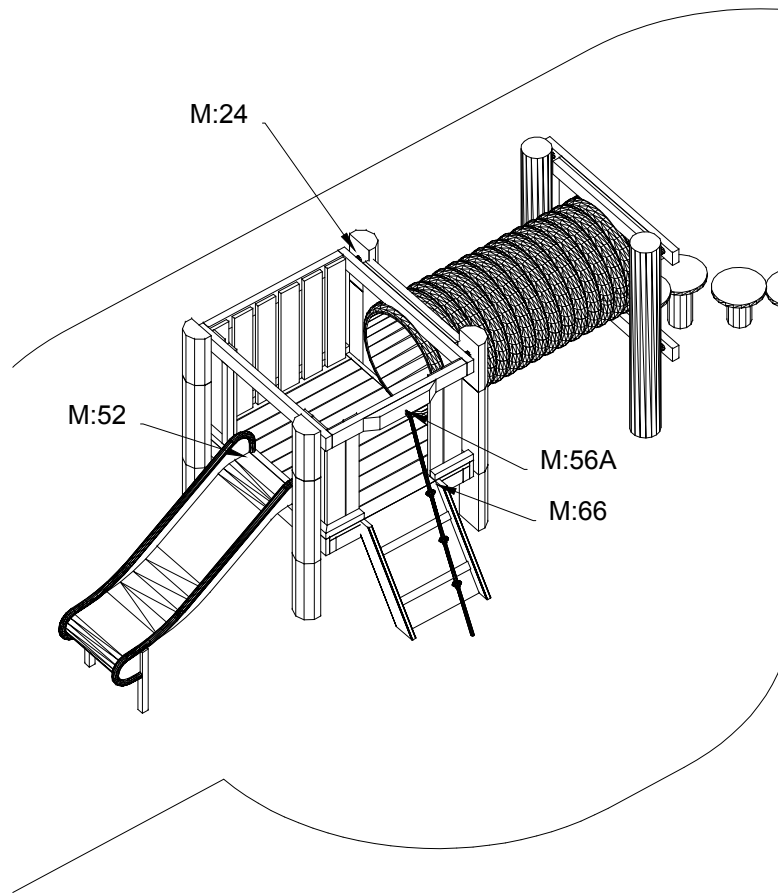
< 600



≥ EN 1176


Mont.p. nr.

- 19
- 24
- 52
- 56A
- 66



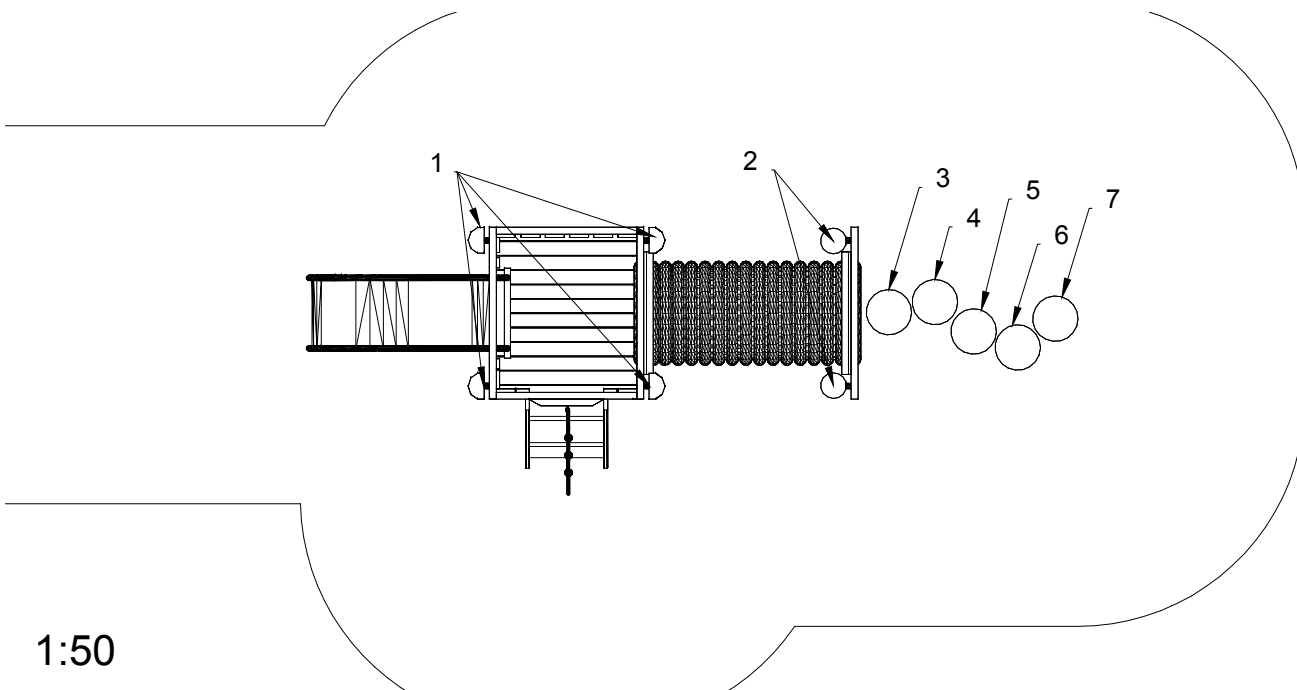
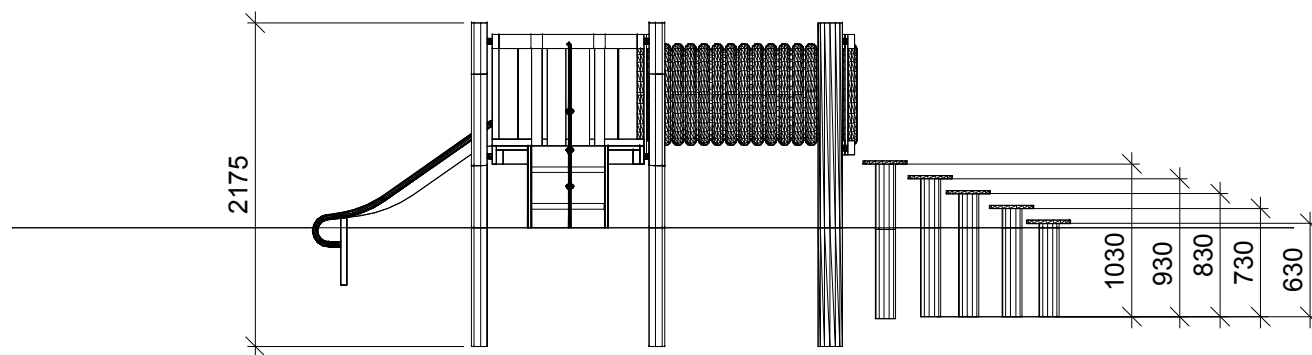
NORLEG - Mont.	
Klatresystem Idun	
LE 20722	
26.03.2015	REV. -

< 600



≥ EN 1176

Parts list		
Mrk.	QTY	Part.no
1	4	160-180-2175-h
2	2	140-160-2175
3	1	140-160-1030
4	1	140-160-930
5	1	140-160-830
6	1	140-160-730
7	1	140-160-630



1:50