

2



1h



12,3 m³



4,1 x 3,9 x 1,6 m



~167 kg



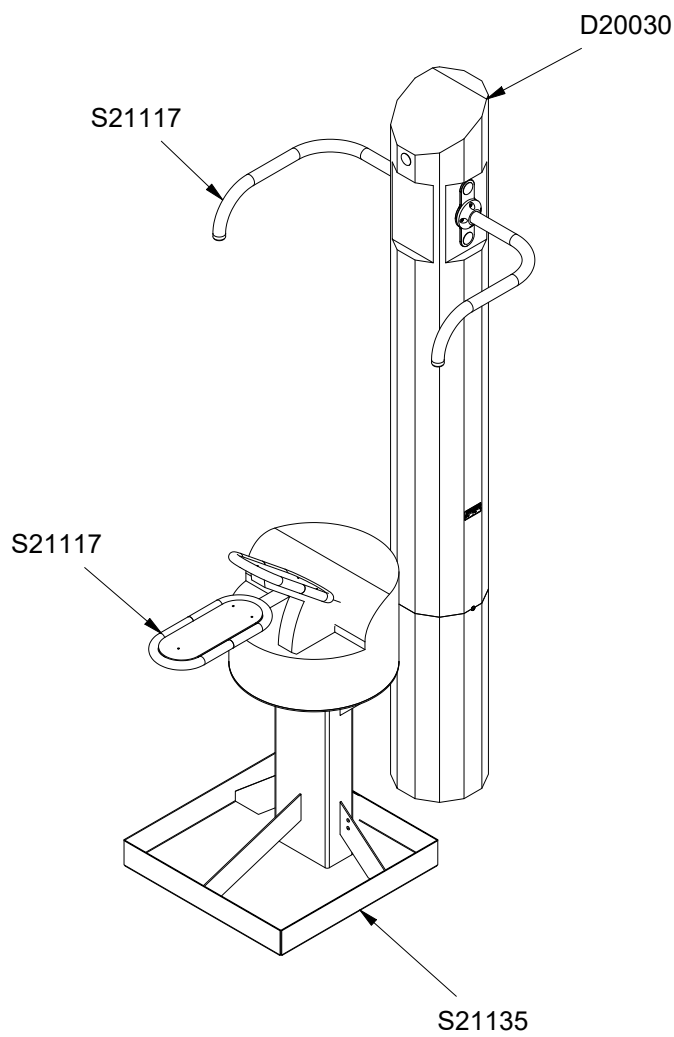
~0,04 m³



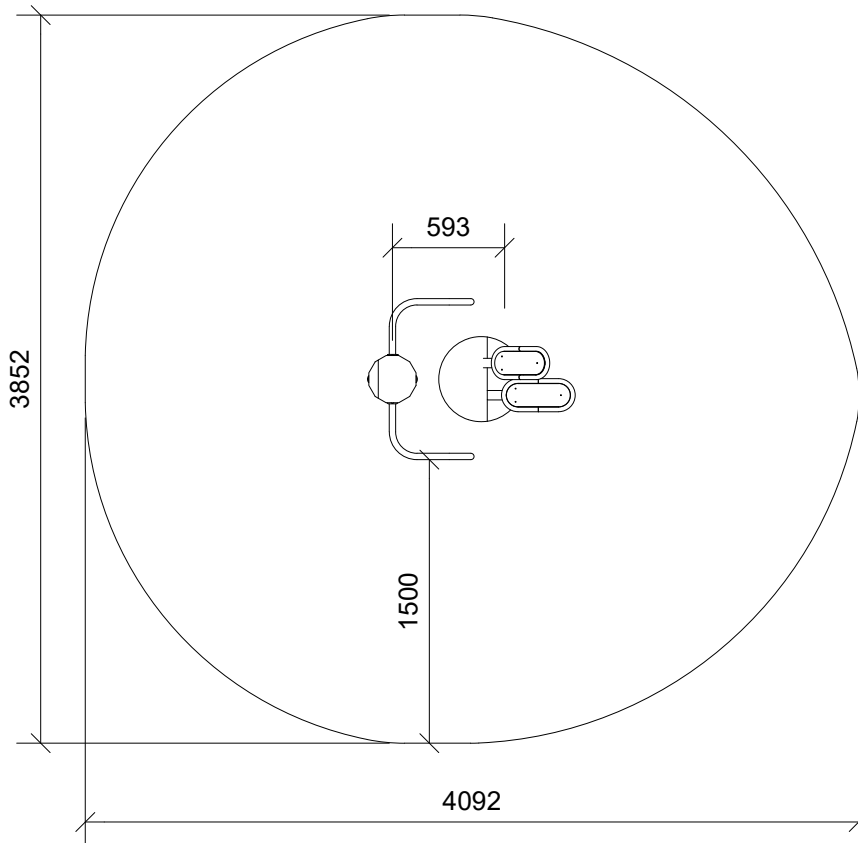
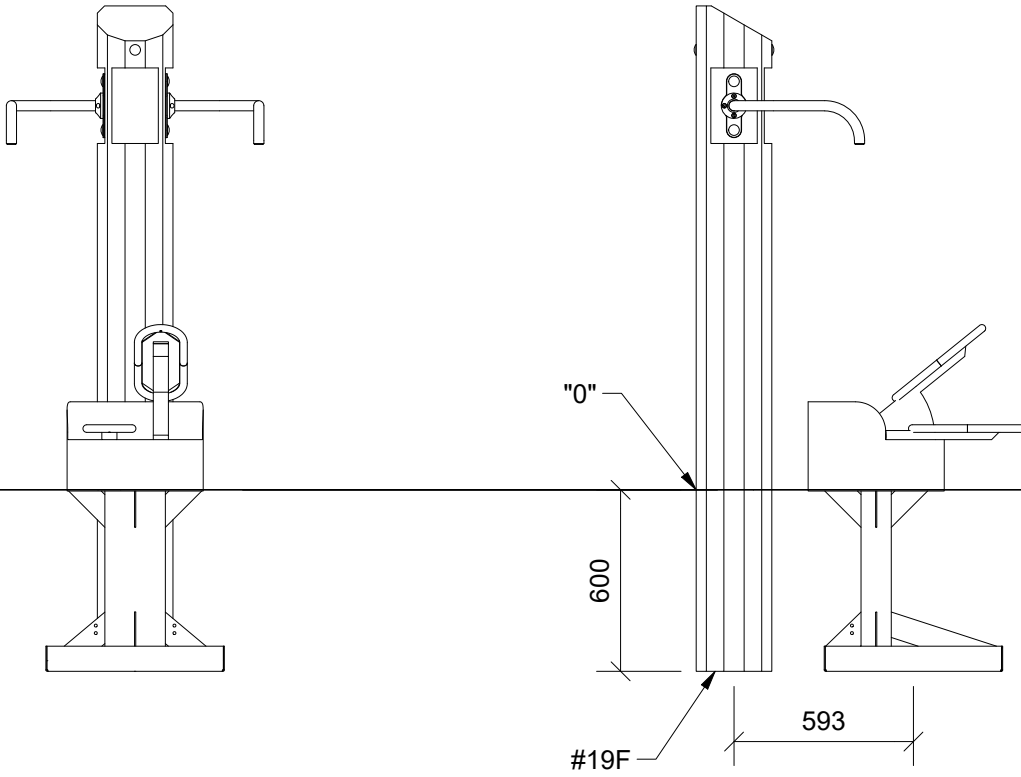
Ø24-27 x 220 cm

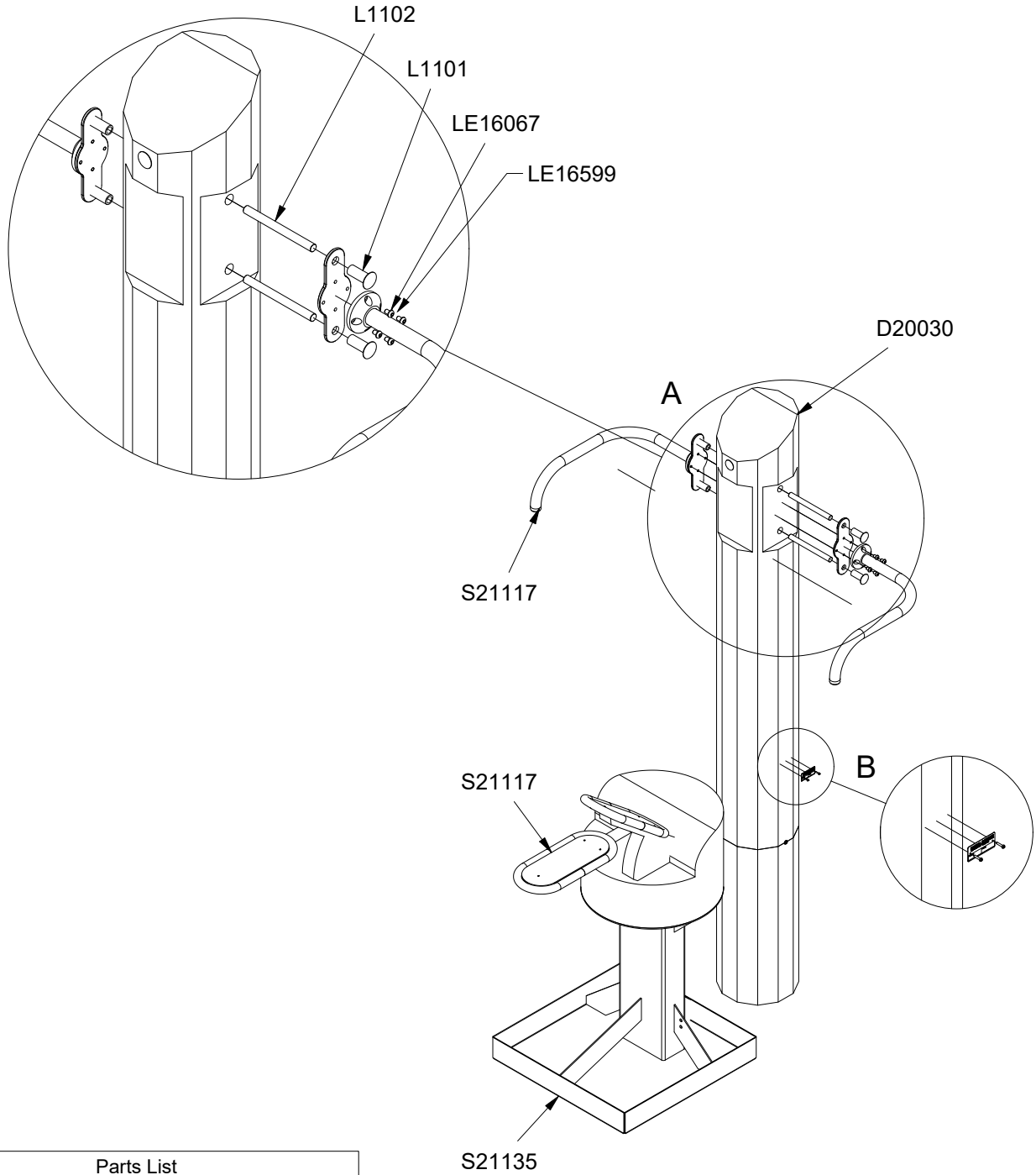


100 kg



Parts List		
QTY	PART NO	DESCRIP.
1	D20030	Robinia
4	L1101	M16 sleeve nut
2	L1102	M16 Threaded rod
2	LE15901	3x16, PH
1	LE15910	Name tag
9	LE16067	M8x40mm
1	LE16599	Sealtite 970 1,5ml
1	S21135	Installation frame
1	S21117	StepWalk





Parts List		
QTY	PART NO	DESCRIP.
1	D20030	Robinia
4	L1101	M16 sleeve nut
2	L1102	M16 Threaded rod
2	LE15901	3x16, PH
1	LE15910	Name tag
9	LE16067	M8x40mm
1	LE16599	Sealtite 970 1,5ml
1	S21135	Installation frame
1	S21117	StepWalk

