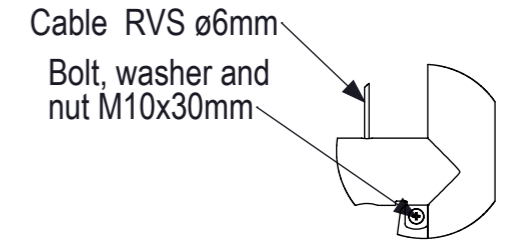
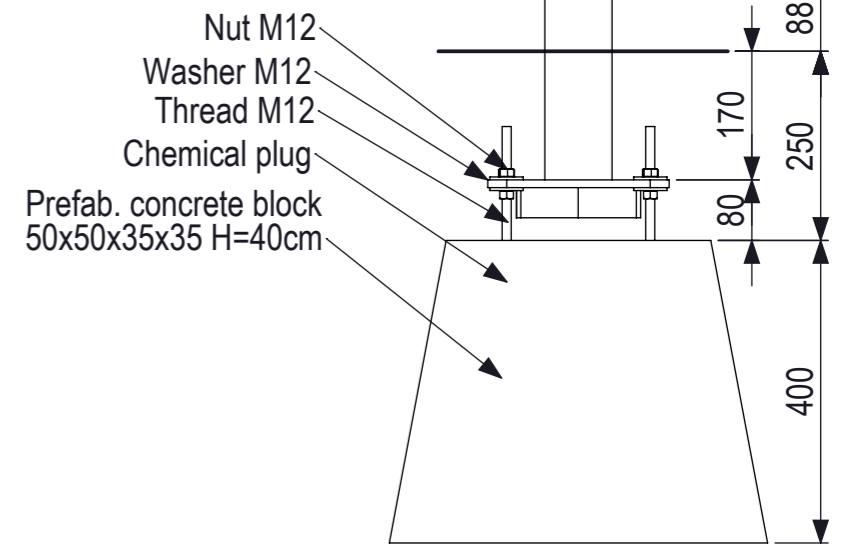
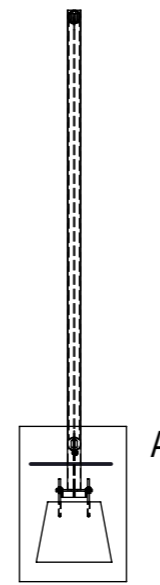


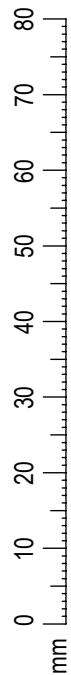
DETAIL C  
SCALE 1 : 10



DETAIL B  
SCALE 1 : 10



DETAIL A  
SCALE 1 : 10



|              |   |                              |              |                |            |            |                  |                        |  |  |
|--------------|---|------------------------------|--------------|----------------|------------|------------|------------------|------------------------|--|--|
|              | <b>IJSLANDER</b><br>Ijlander BV<br>Oude Dijk 10<br>8096 RK Oldebroek   The Netherlands<br>T +31 (0)525 633420   F +31 (0)525 631067<br>info@ijlander.com   www.ijlander.com | benaming/name                |              |                |            |            |                  | <b>Backstop 7,5x3m</b> |  |  |
|              |   | proj.                        | eenheid/unit | getekend/drawn | datum/date | naam/name  | paraaf/signature |                        |  |  |
|              |   | 1:50                         | cm           |                | 13-7-2016  |            |                  |                        |  |  |
| schaal/scale |   | tekeningnummer/drawingnumber |              |                |            | blad/sheet | wijz./rev.       | form./size             |  |  |
| 1:50         |   | 4002-01                      |              |                |            | 1 - 1      | -                | A3                     |  |  |